



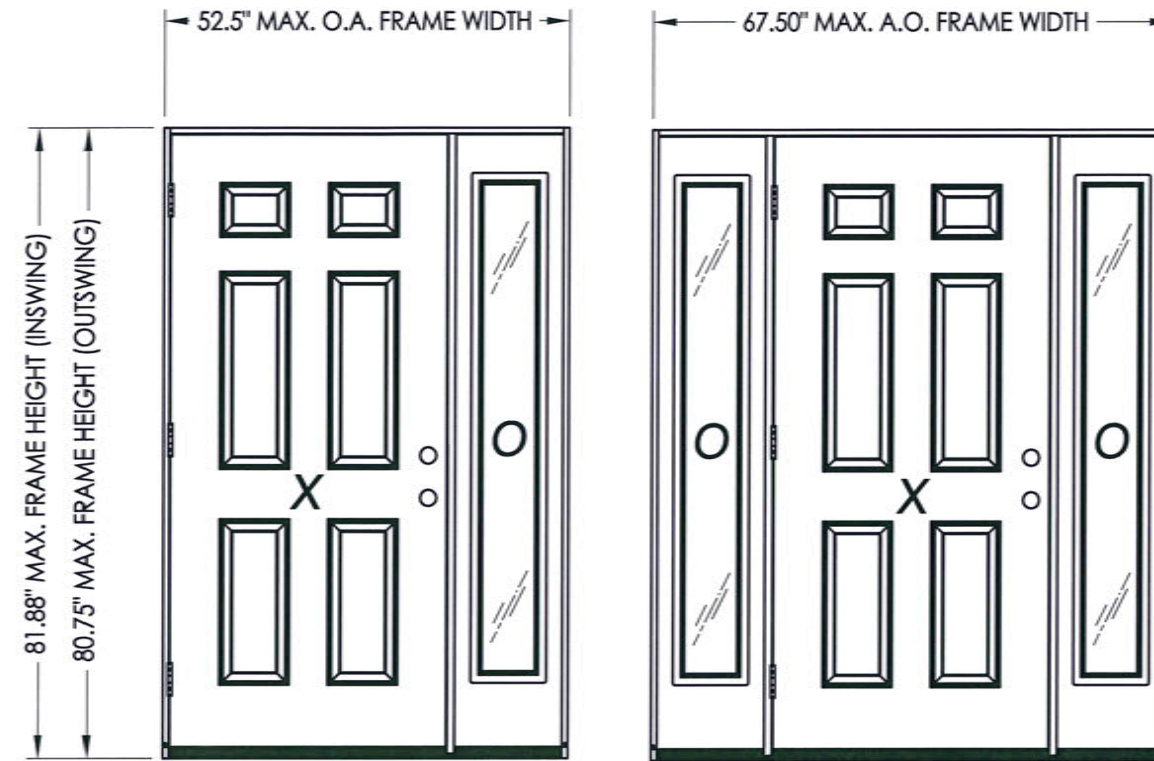
TRINITY GLASS
INTERNATIONAL

33615 1st Way S Federal Way, WA 98003

**OPAQUE FIBERGLASS
"IMPACT" DOOR
with
"NON-IMPACT" SIDELITE(S)
IN SWING / OUT SWING**

GENERAL NOTES

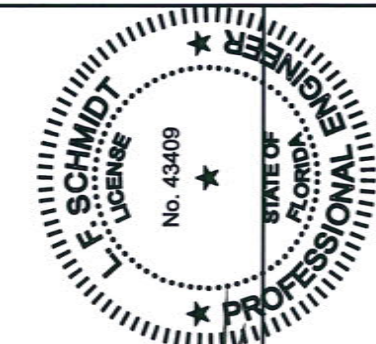
1. This product has been evaluated and is in compliance with the 5th Edition (2014) Florida Building Code (FBC) structural requirements excluding the "High Velocity Hurricane Zone" (HVHZ).
2. Product anchors shall be as listed and spaced as shown on details. Anchor embedment to base material shall be beyond wall dressing or stucco.
3. When used in areas requiring wind borne debris protection, the opaque door complies with Section 1609.1.2 of the FBC and does not need to be protected with an impact resistant covering. The sidelite is req'd to be protected with an impact resistant covering that complies with Section 1609.1.2 of the FBC. The opaque door, when used with wood or fiberglass/composite jambs, meets missile level "D" and includes Wind Zone 4 as defined in ASTM E 1996 and Section 1609.1.2.2 of the FBC. The opaque door, when used with the PVC jambs, meets missile level "D" but excludes Wind Zone 4.
4. For 2x stud framing construction, anchoring of these units shall be the same as that shown for 2x buck masonry construction.
5. Site conditions that deviate from the details of this drawing require further engineering analysis by a licensed engineer or registered architect.



Continuous Head and Sill

TABLE OF CONTENTS	
SHEET#	DESCRIPTION
1	Typical elevations, design pressures & general notes
2	Door panel details
3	Sidelite panel details
4	Sidelite panel details
5	Elevations
6	Horizontal cross sections
7	Vertical cross sections
8	Vertical cross sections
9	Buck anchoring
10	Frame anchoring
11	Components
12	Bill of materials & components

CONFIGURATION	MAX. FRAME DIMENSION	JAMB TYPE	DESIGN PRESSURE (PSF) INSWING		DESIGN PRESSURE (PSF) OUTSWING	
			POSITIVE	NEGATIVE	POSITIVE	NEGATIVE
			OX/XO	52.5" x 81.88"	WOOD	+60.0
FIBERGLASS/COMP	+55.0	-55.0			+55.0	-55.0
PVC	+35.0	-35.0			+35.0	-35.0
OXO	67.5" x 81.88"	WOOD	+60.0	-70.0	+60.0	-60.0
		FIBERGLASS/COMP	+55.0	-55.0	+55.0	-55.0
		PVC	+35.0	-35.0	+35.0	-35.0



Documents Prepared By:
Lyndon F. Schmidt
P.E. No. 43409

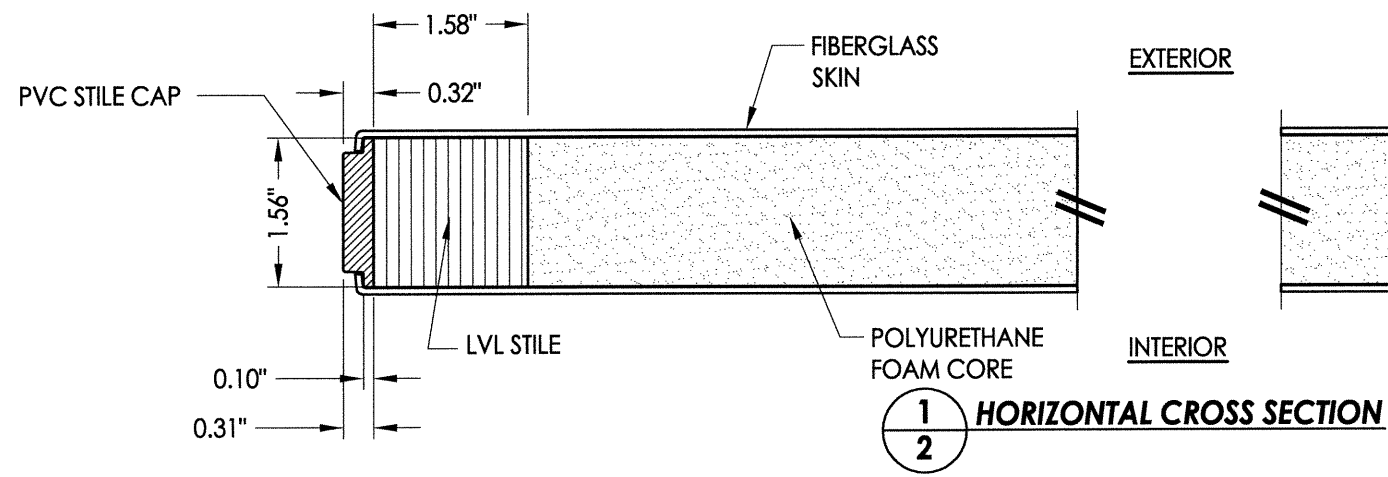
RW BUILDING CONSULTANTS, INC.
P.O. Box 230, Valrico, FL 33595
Phone No.: 813.659.9197
FBPE C.A. No. 9813

PRODUCT: TRINITY GLASS INT'L

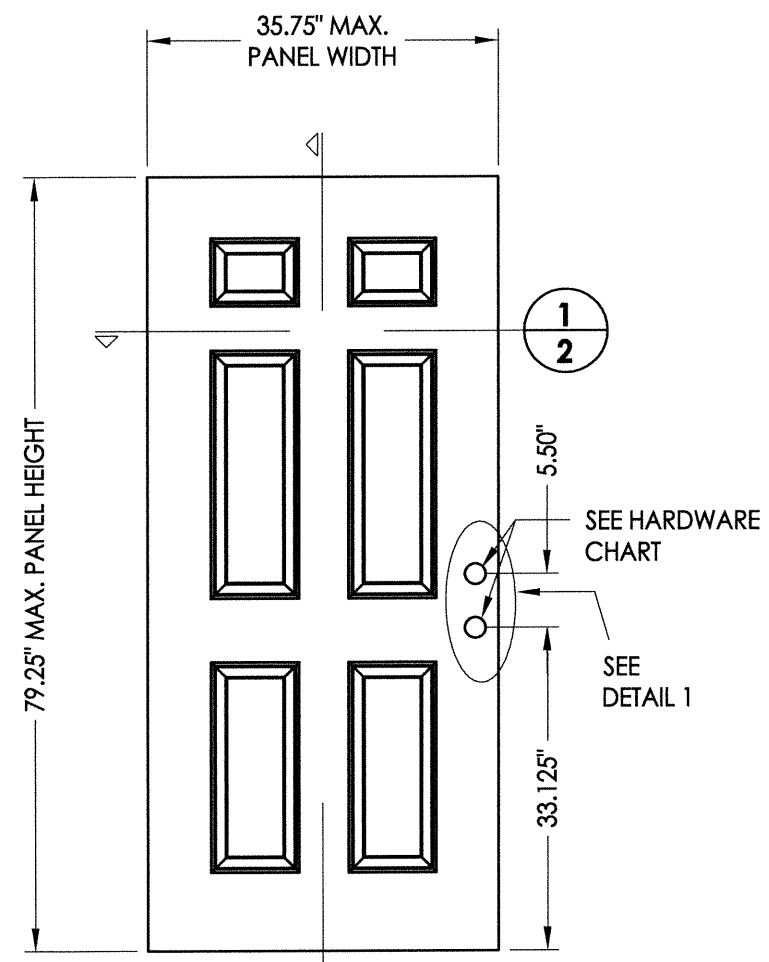
PART OR ASSEMBLY: TYPICAL ELEVATION, DESIGN PRESSURES & GENERAL NOTES

NO.	DATE	REVISIONS
2	03/02/15	UPDATE TO 5TH ED. (2014) FBC
1	12/16/14	REVISED LOCK HARDWARE

DATE: 1/18/12
SCALE: N.T.S.
DWG. BY: JK
CHK. BY: LFS
DRAWING NO.: FL-15129.2
SHEET 1 OF 12

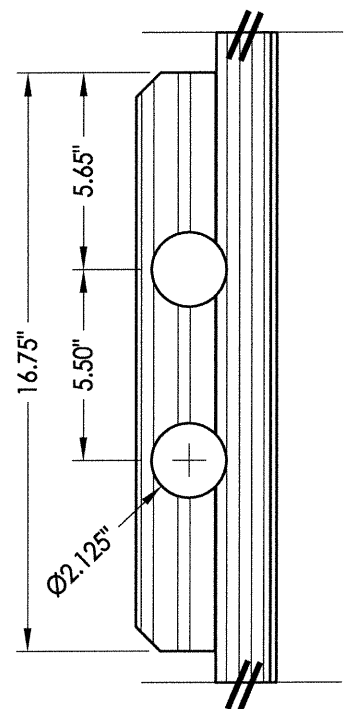


1
2 **HORIZONTAL CROSS SECTION**



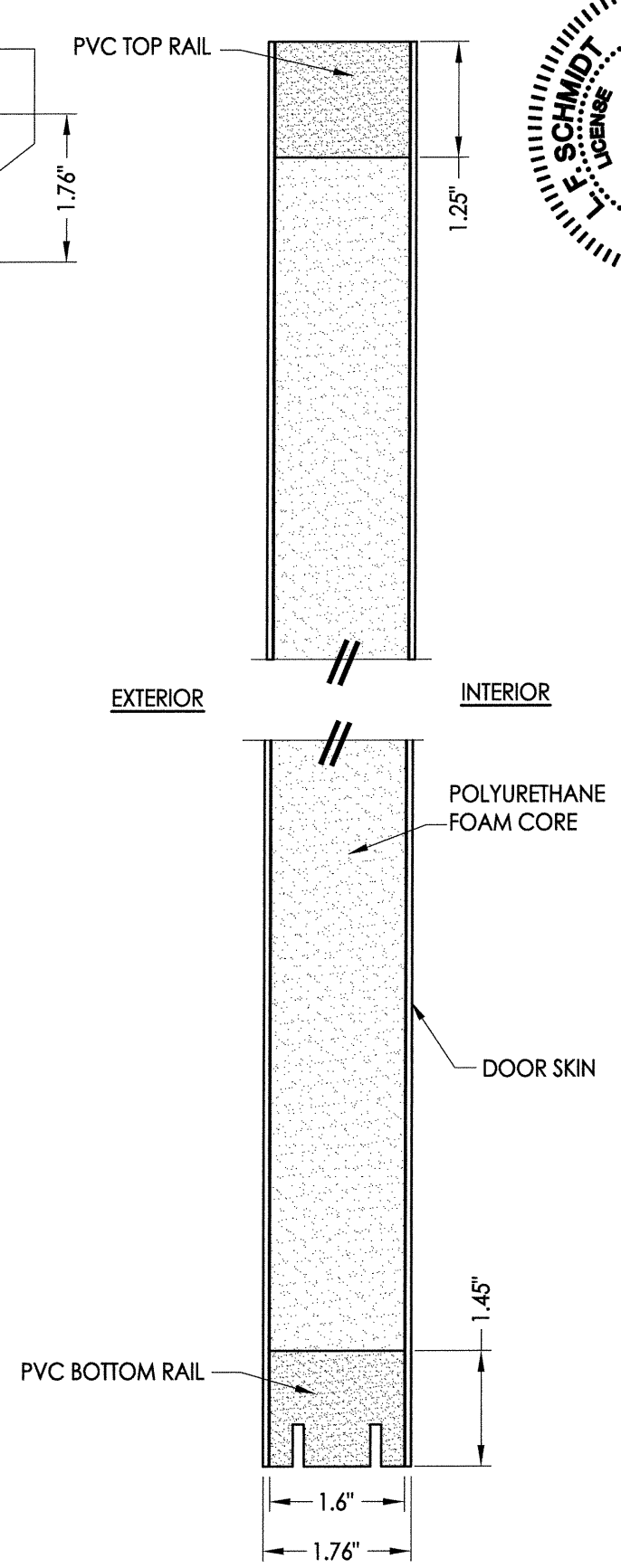
40 **OPAQUE DOOR**

DOOR SKIN: 0.070" MIN. THK. FIBERGLASS
CORE MATERIAL: POLYURETHANE FOAM

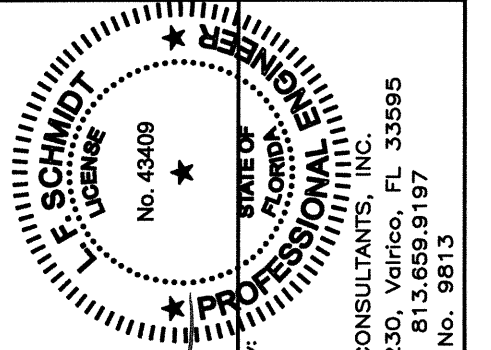


DETAIL 1

HARDWARE CHART	
MANUFACTURER	MODEL
KWIKSET	KNOB: SIGNATURE SERIES DEADBOLT: SIGNATURE SERIES (980)
KWIKSET	KNOB & DEADBOLT: SIGNATURE SERIES COMBO PACK (991)
SCHLAGE	KNOB: F SERIES DEADBOLT: B60 SERIES



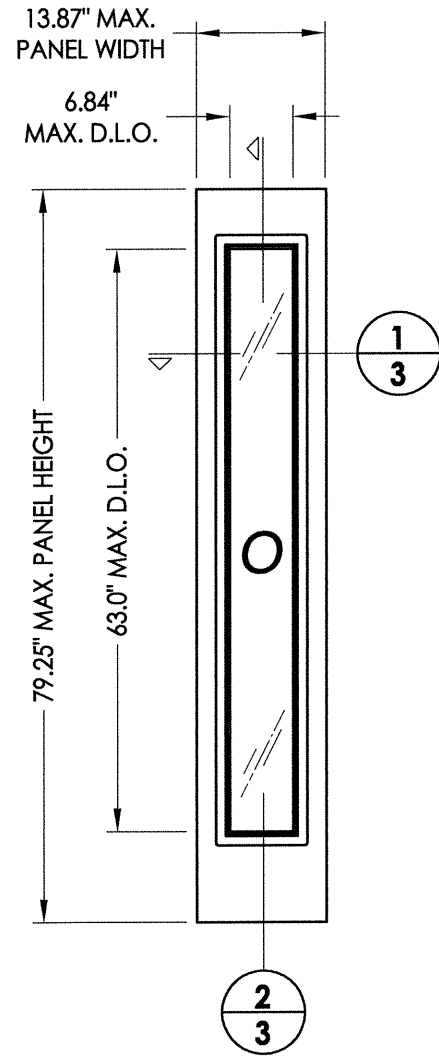
2
2 **VERTICAL CROSS SECTION**



Documents Prepared By:
Lyndon F. Schmidt
P.E. No. 43409
RW
BUILDING CONSULTANTS, INC.
P.O. Box 230, Valrico, FL 33595
Phone No.: 813.659.9197
FBPE C.A. No. 9813

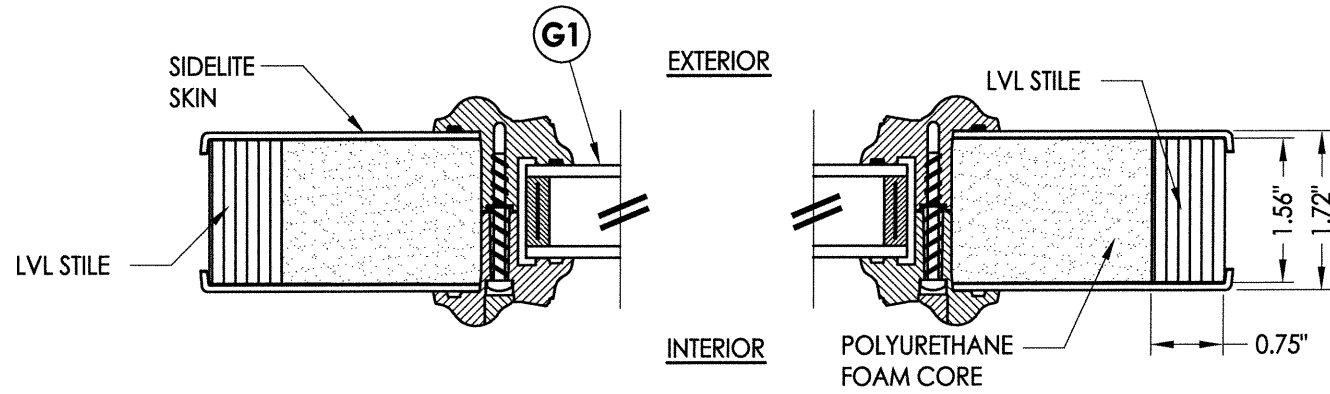
PRODUCT:	TRINITY GLASS INT'L	
PART OR ASSEMBLY:	DOOR PANEL DETAILS	
DATE	NO.	BY
03/02/15	2	JK
UPDATE TO 5TH ED. (2014) FBC		
REVISED LOCK HARDWARE	1	LFS
DATE	NO.	BY
REVISIONS		
DATE:	1/18/12	
SCALE:	N.T.S.	
DWG. BY:	JK	
CHK. BY:	LFS	
DRAWING NO.:	FL-15129.2	
SHEET	2 OF 12	

R:\Clients\Trinity PERMANENT\Florida Product Approvals\FL-15129\Drawings\Current\FL-15129.1-4.dwg, 3.2

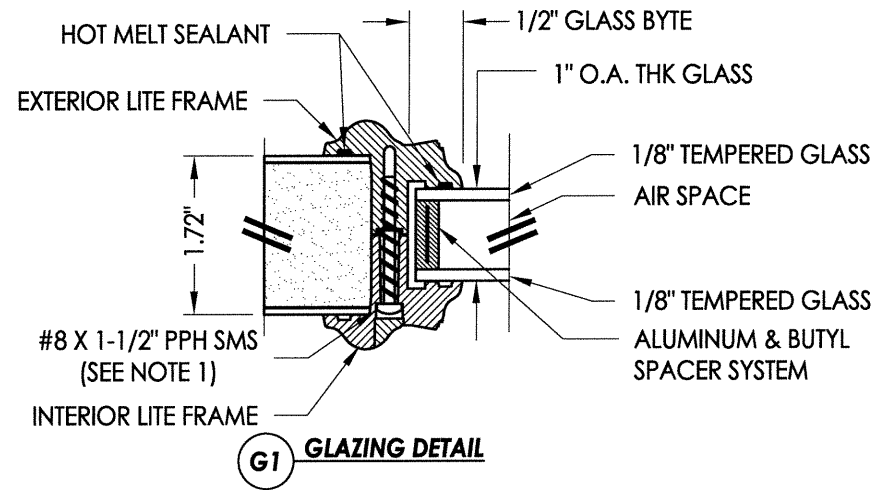


41 FIBERGLASS SIDELITE
"Non-Impact" Lite Frame

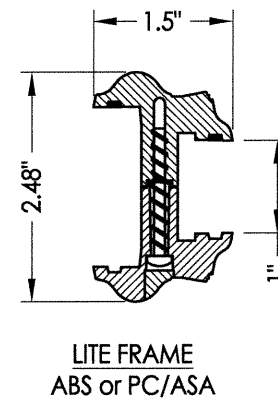
DOOR SKIN: 0.070" MIN. THK. FIBERGLASS
CORE MATERIAL: POLYURETHANE FOAM



1 HORIZONTAL CROSS SECTION

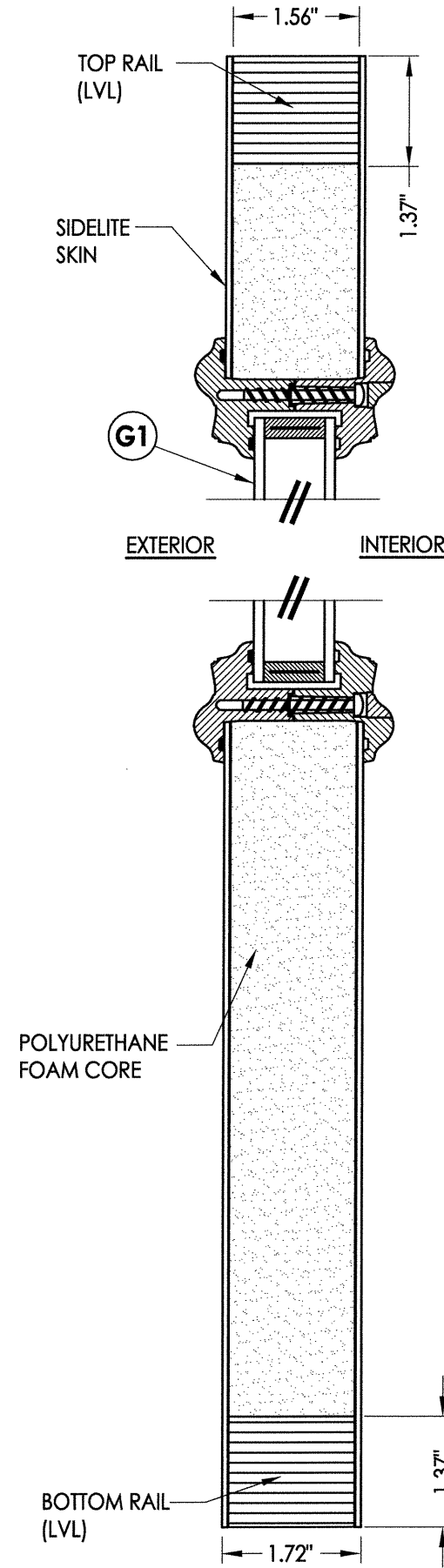


G1 GLAZING DETAIL

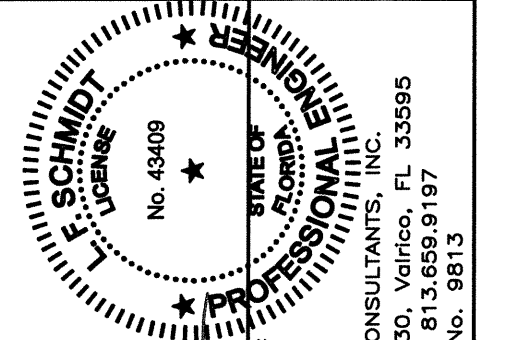


LITE FRAME
ABS or PC/ASA

NOTE:
1. Spacing for lite frame screw is as follows:
Top and Bottom: 2" from each corner (2 total)
Sides: 2" from each corner and equally spaced thereafter (8 total)



2 VERTICAL CROSS SECTION

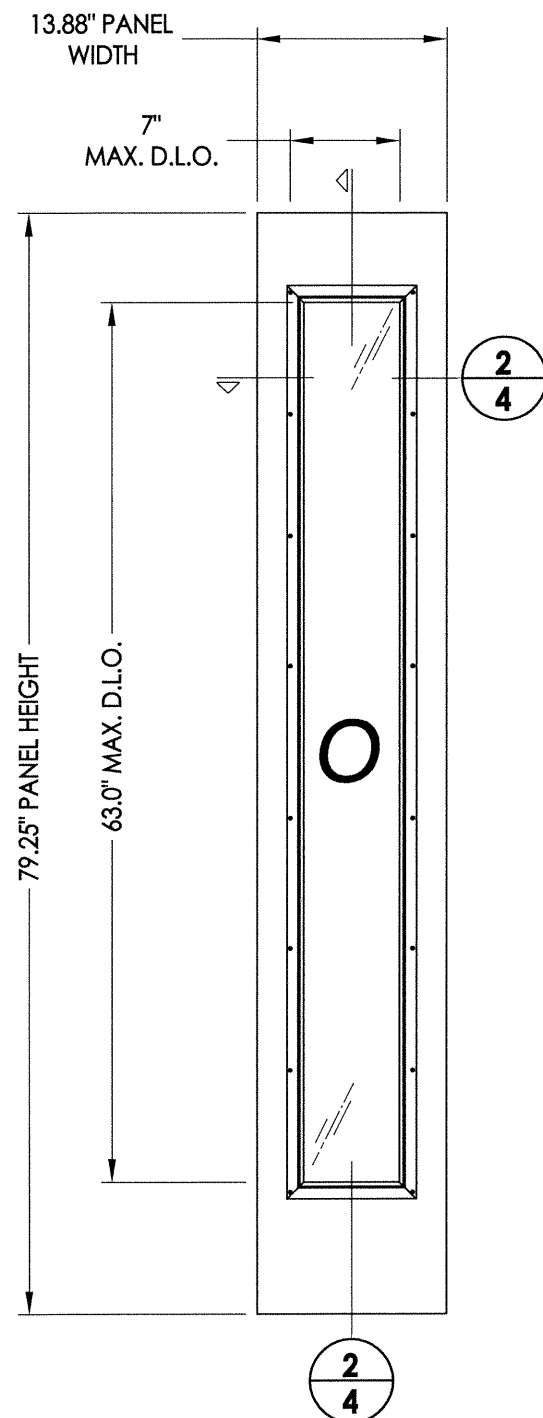


Documents Prepared By:
Lyndon F. Schmidt
P.E. No. 43409

RW
BUILDING CONSULTANTS, INC.
P.O. Box 230, Valrico, FL 33595
Phone No.: 813.659.9197
FBPE C.A. No. 9813

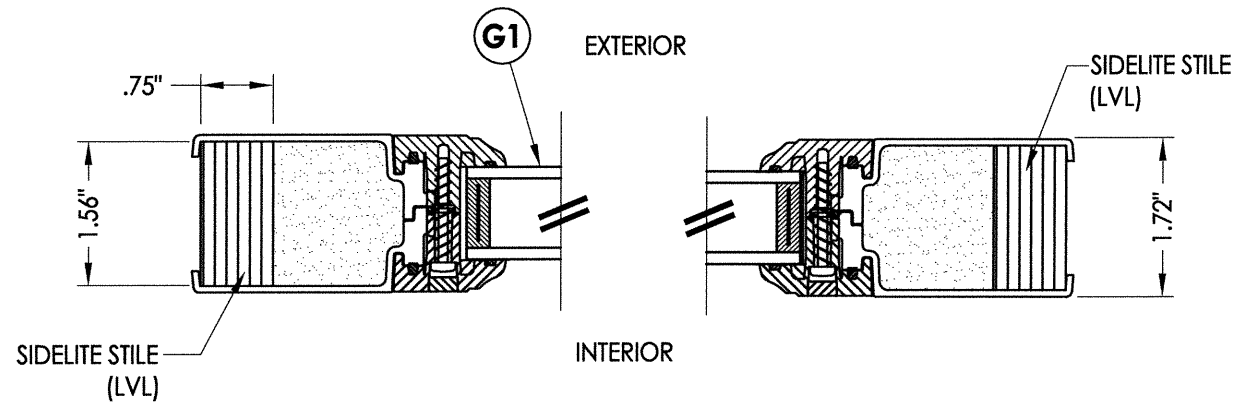
PRODUCT:	TRINITY GLASS INT'L
PART OR ASSEMBLY:	SIDELITE PANEL DETAILS
DATE:	1/18/12
SCALE:	N.T.S.
DWG. BY:	JK
CHK. BY:	LFS
DRAWING NO.:	FL-15129.2
SHEET	3 OF 12

NO.	DATE	BY	REVISIONS
2	03/02/15	JK	UPDATE TO 5TH ED. (2014) FBC
1	12/16/14	LFS	REVISED LOCK HARDWARE

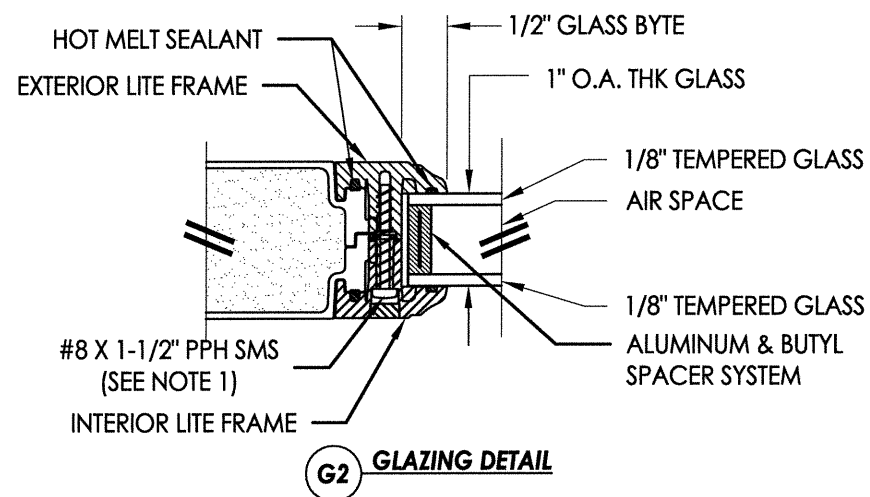


42 FIBERGLASS SIDELITE
"Non-Impact" Flush Lite Frame

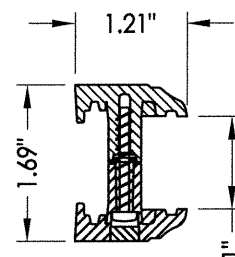
DOOR SKIN: 0.070" MIN. THK. FIBERGLASS
CORE MATERIAL: POLYURETHANE FOAM



1 HORIZONTAL CROSS SECTION

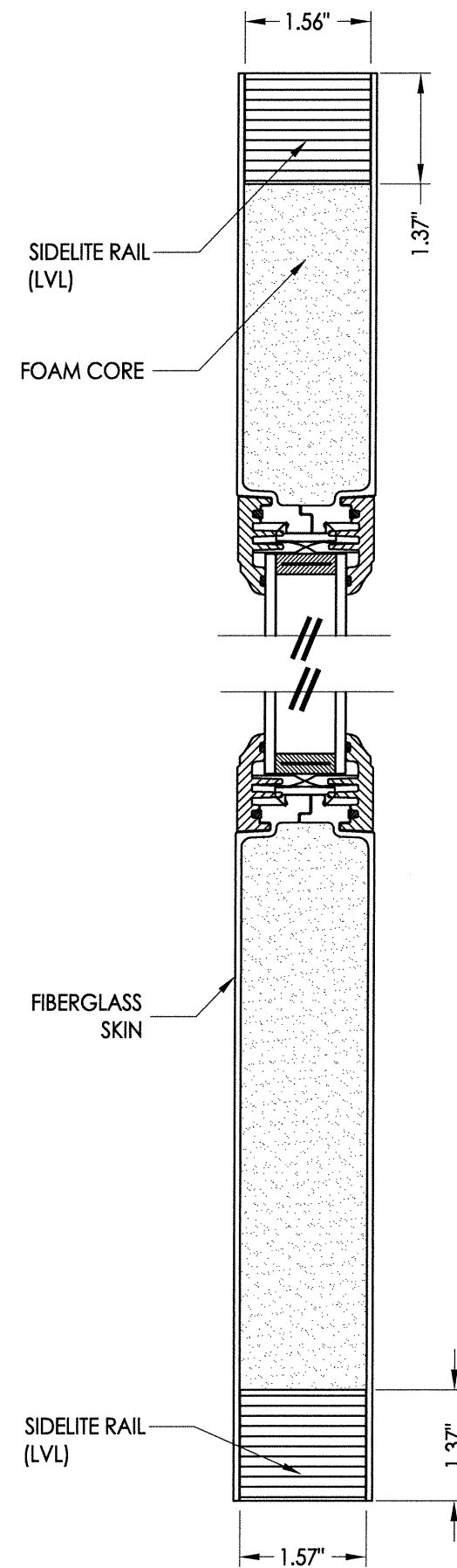


G2 GLAZING DETAIL

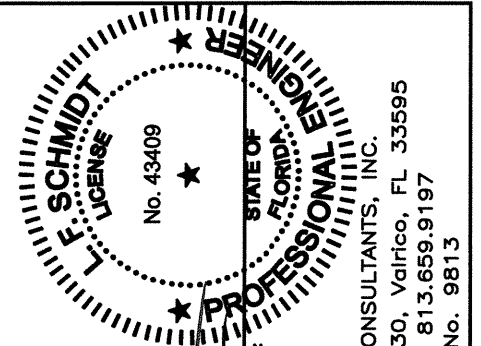


FLUSH LITE FRAME
ABS or PC/ASA

NOTE:
1. Spacing for lite frame screw is as follows:
Sides: 0.5" from each corner and 9.5" max. spacing thereafter (8 total)



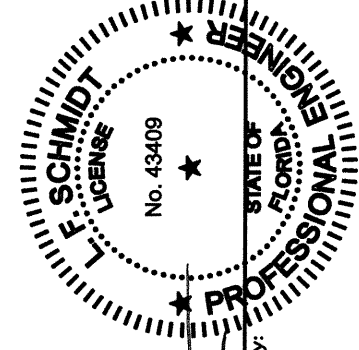
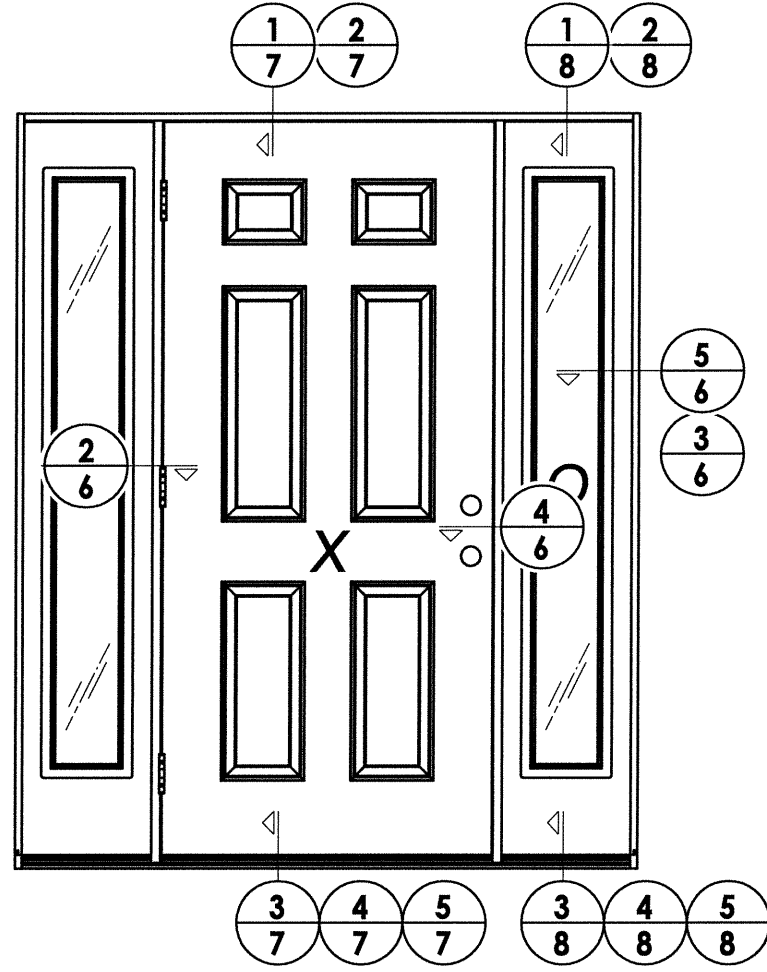
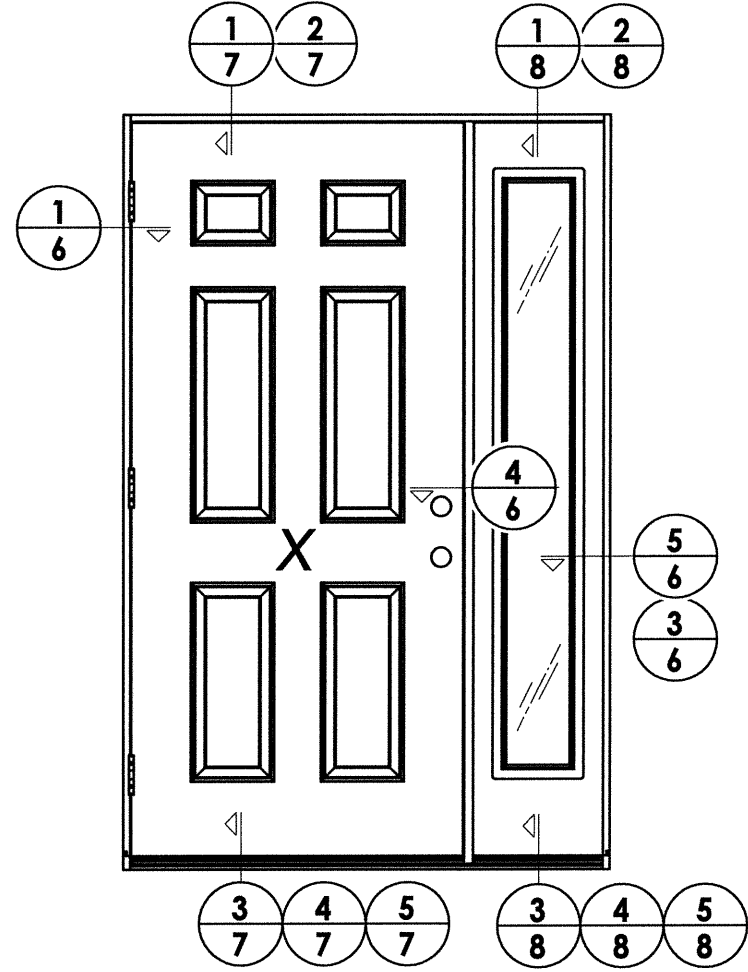
2 VERTICAL CROSS SECTION



Documents Prepared By:
Lyndon F. Schmidt
P.E. No. 43409

RW BUILDING CONSULTANTS, INC.
P.O. Box 230, Vairico, FL 33595
Phone No.: 813.659.9197
FBPE C.A. No. 9813

PRODUCT: TRINITY GLASS INT'L		PART OR ASSEMBLY: SIDELITE PANEL DETAILS	
NO.	DATE	BY	REVISIONS
2	03/02/15	JK	UPDATE TO 5TH ED. (2014) FBC
1	12/16/14	LFS	REVISED LOCK HARDWARE
DATE: 1/18/12			
SCALE: N.T.S.			
DWG. BY: JK			
CHK. BY: LFS			
DRAWING NO.: FL-15129.2			
SHEET 4 OF 12			

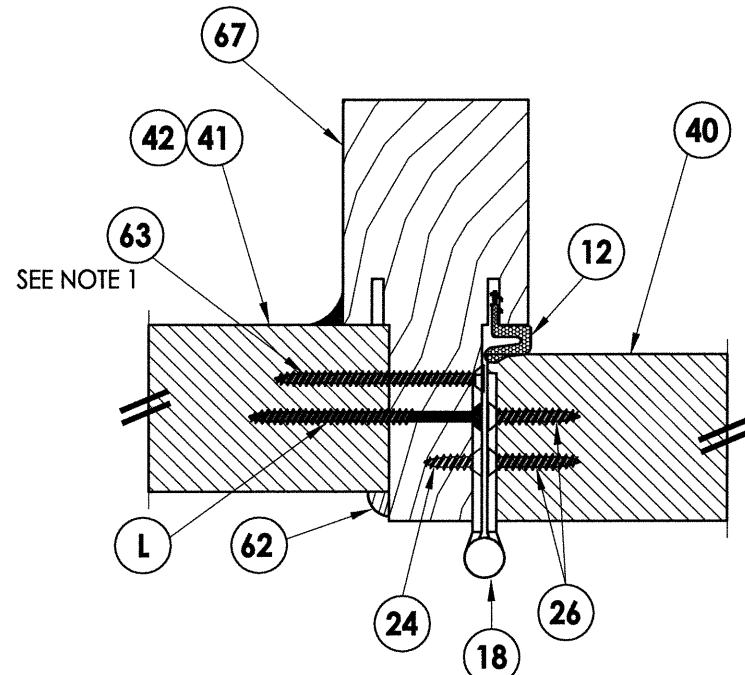


5.1.15
LFS

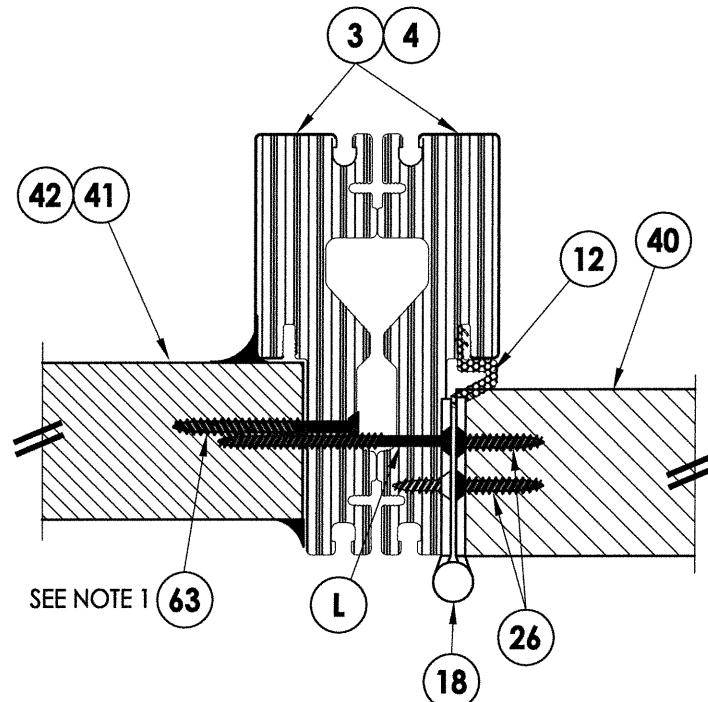
Documents Prepared By:
Lyndon F. Schmidt
P.E. No. 43409

RW BUILDING CONSULTANTS, INC.
P.O. Box 230, Valrico, FL 33595
Phone No.: 813.659.9197
FBPE C.A. No. 9813

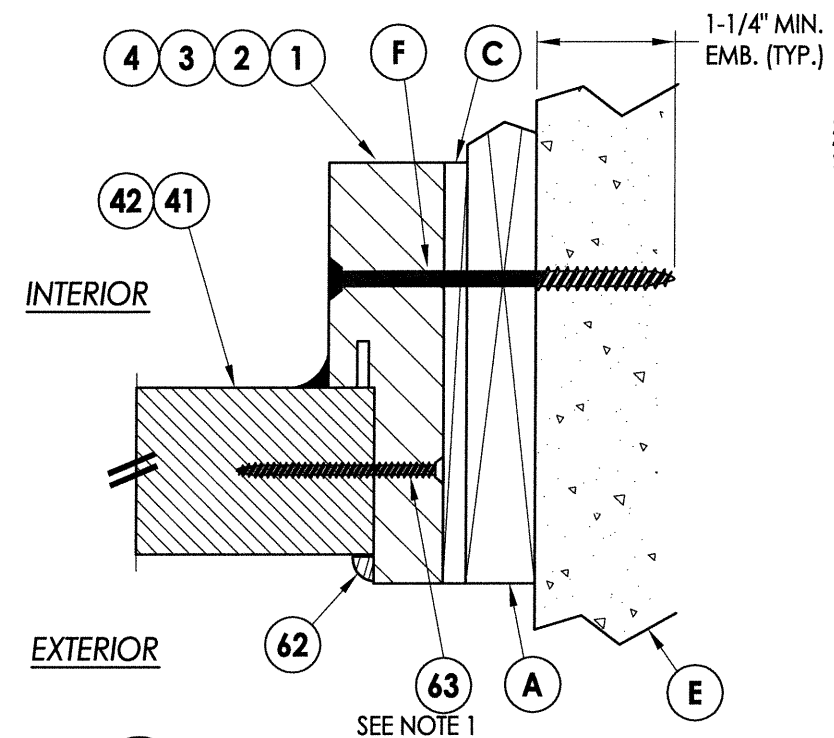
PRODUCT: TRINITY GLASS INT'L	
PART OR ASSEMBLY: ELEVATIONS	
NO.	DATE
2	03/02/15
1	12/16/14
REVISIONS	
DATE:	1/18/12
SCALE:	N.T.S.
DWG. BY:	JK
CHK. BY:	LFS
DRAWING NO.:	FL-15129.2
SHEET	5 OF 12



2 HORIZONTAL CROSS SECTION
 6 Outswing shown - Inswing also approved
 Shown w/ wood mullion

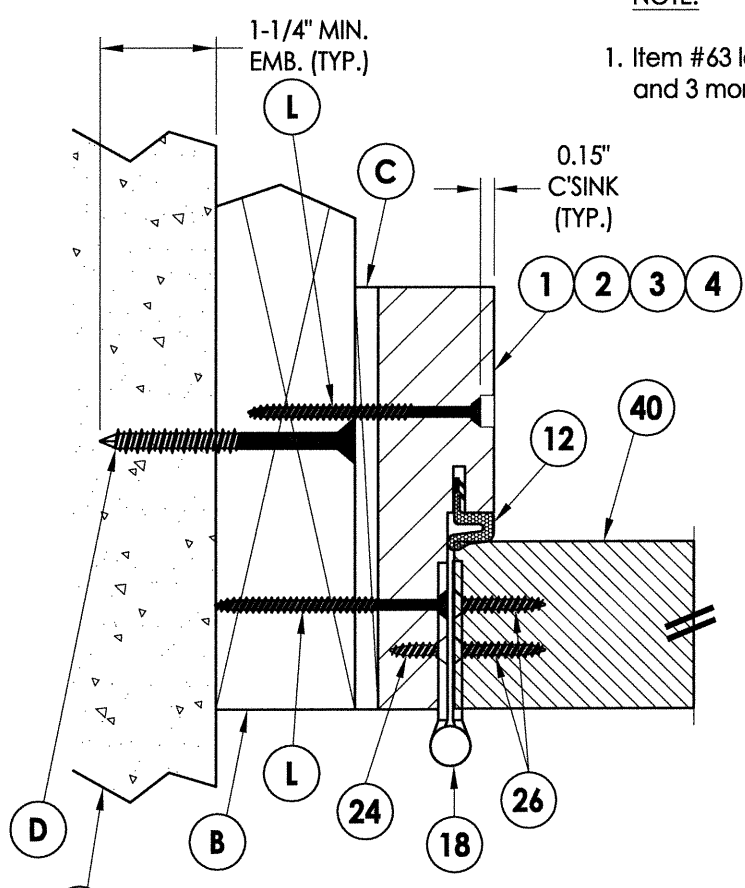


6 HORIZONTAL CROSS SECTION
 6 Outswing shown - Inswing also approved
 Shown w/ PVC jamba

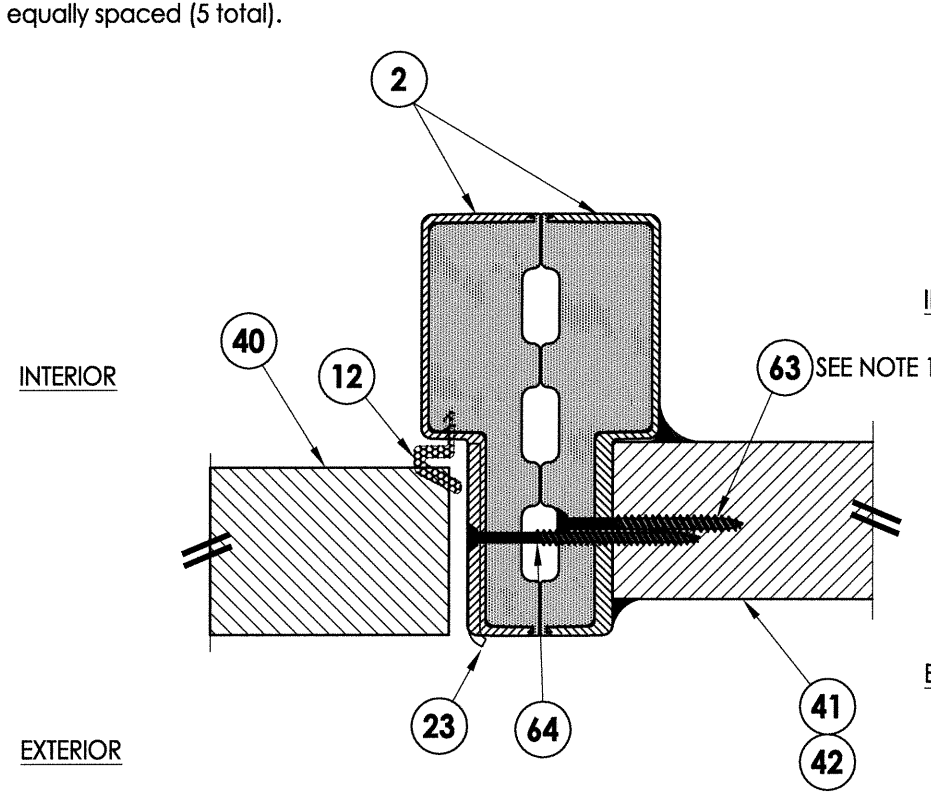


3 HORIZONTAL CROSS SECTION
 6 Shown w/ 1X sub-buck

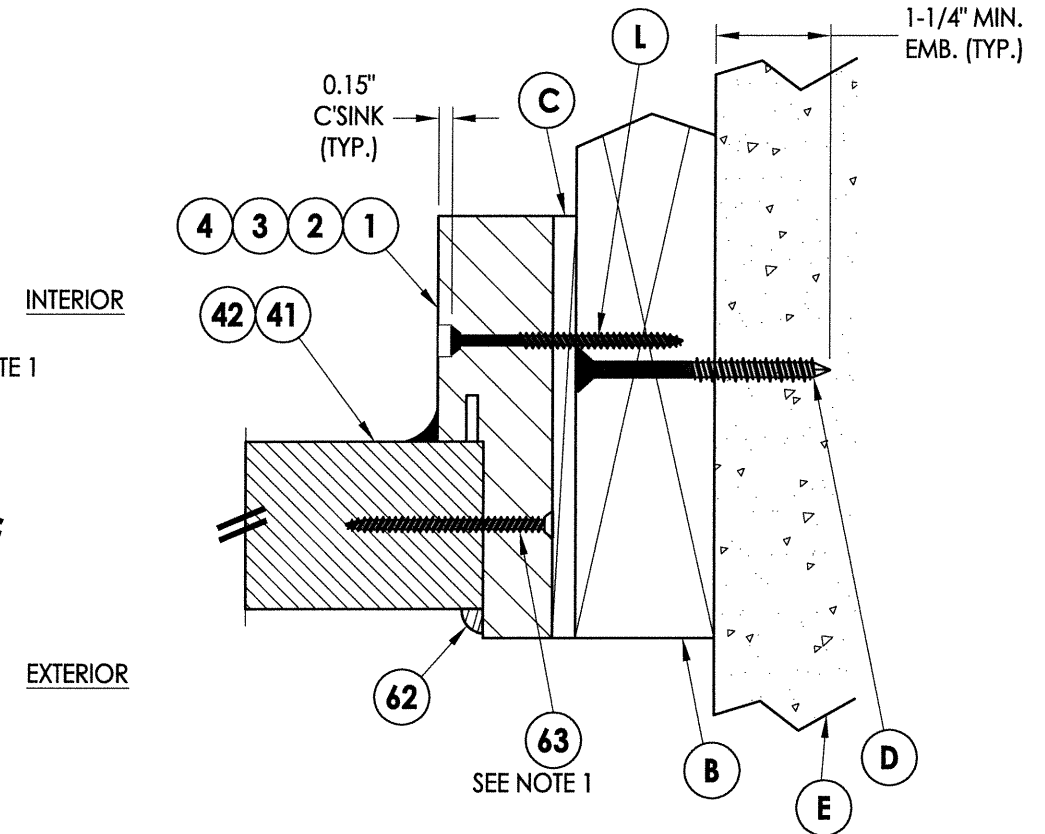
NOTE:
 1. Item #63 located 6" from each end and 3 more equally spaced (5 total).



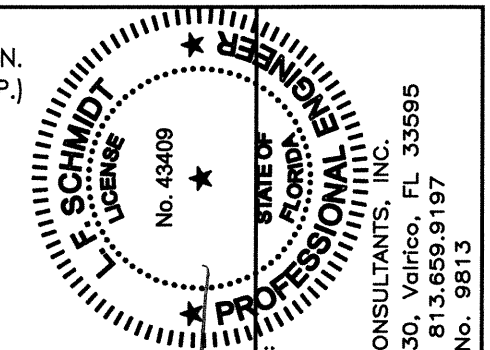
1 HORIZONTAL CROSS SECTION
 6 Outswing shown - Inswing also approved



4 HORIZONTAL CROSS SECTION
 6 Outswing shown - Inswing also approved
 Shown w/ Fiberglass/Comp. jamba



5 HORIZONTAL CROSS SECTION
 6 Outswing shown - Inswing also approved



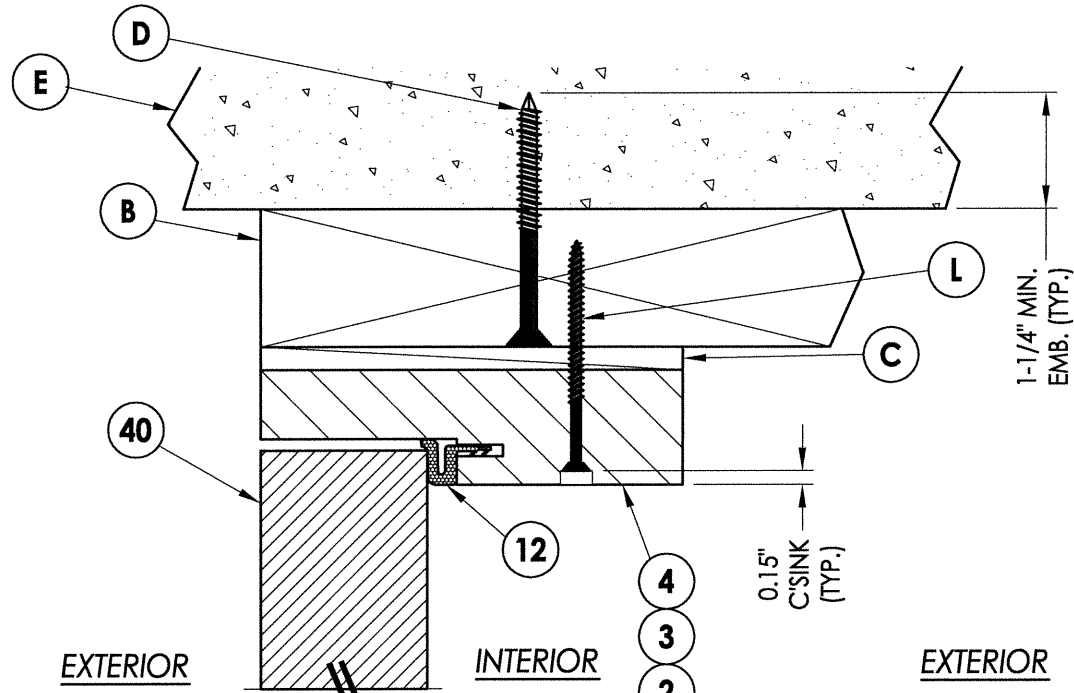
Documents Prepared By:
 Lyndon F. Schmidt
 P.E. No. 43409
 R.W. BUILDING CONSULTANTS, INC.
 P.O. Box 230, Valrico, FL 33595
 Phone No.: 813.659.9197
 FBPE C.A. No. 9813

PRODUCT: TRINITY GLASS INT'L
 PART OR ASSEMBLY: HORIZONTAL CROSS SECTIONS

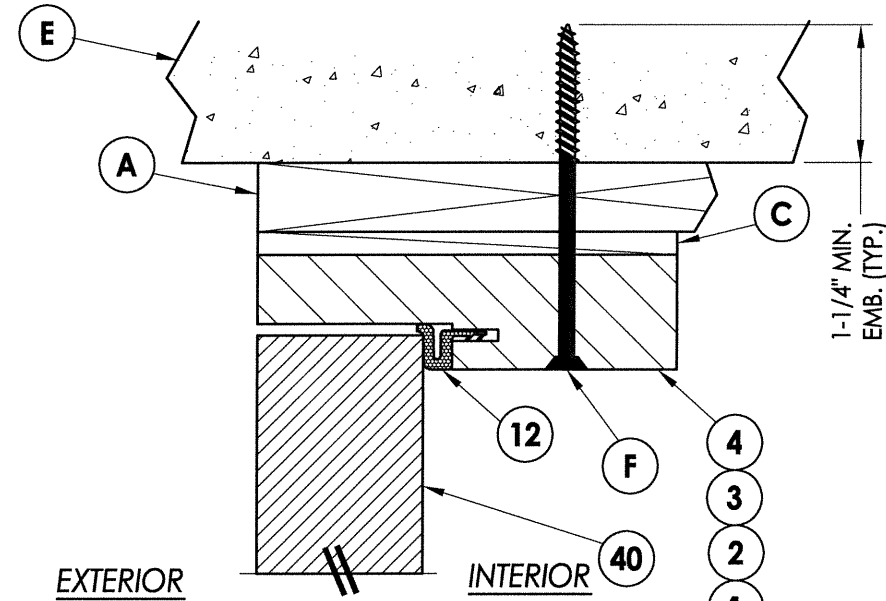
NO.	DATE	REVISIONS
2	03/02/15	UPDATE TO 5TH ED. (2014) FBC
1	12/16/14	REVISED LOCK HARDWARE

DATE: 1/18/12
 SCALE: N.T.S.
 DWG. BY: JK
 CHK. BY: LFS
 DRAWING NO.: FL-15129.2
 SHEET 6 OF 12

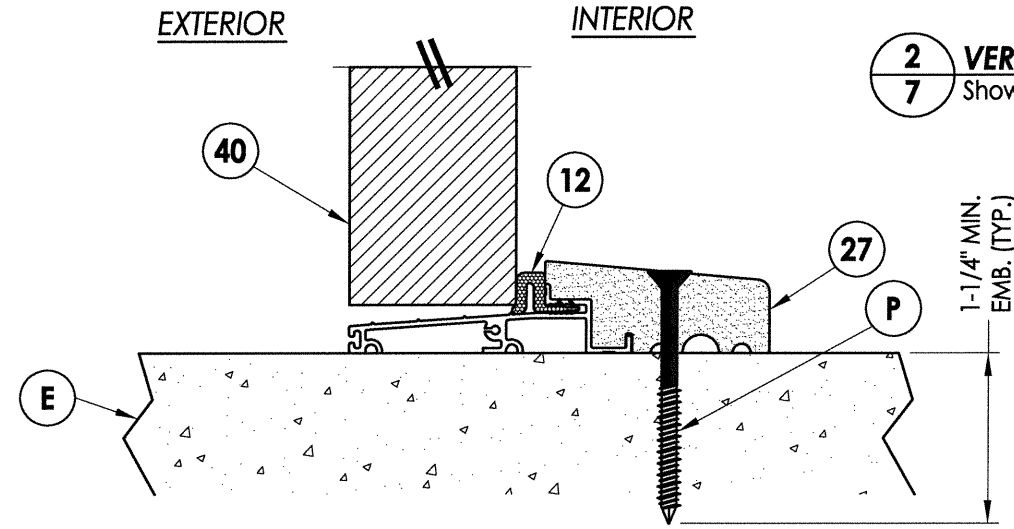
R:\Clients\Trinity PERMANENT\Florida Product Approvals\FL-15129\Drawings\Current\FL-15129.1-4.dwg, 7.2



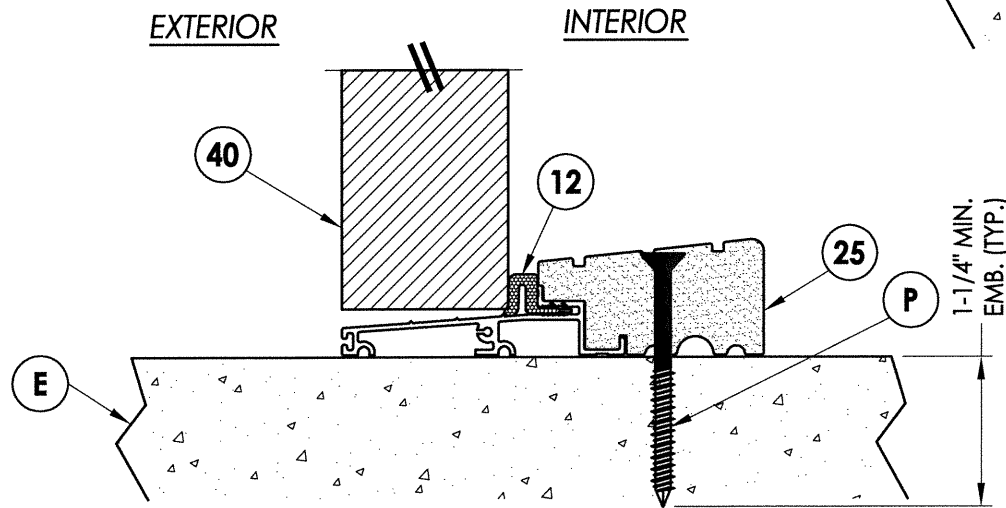
1 VERTICAL CROSS SECTION
7 Outswing shown
 Inswing also approved



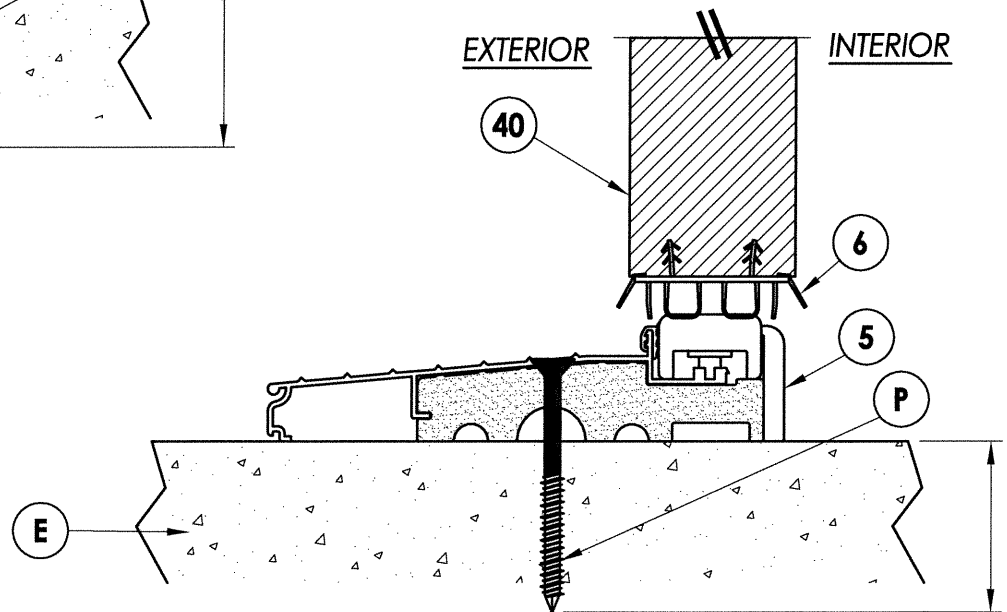
2 VERTICAL CROSS SECTION
7 Shown w/1X sub-buck



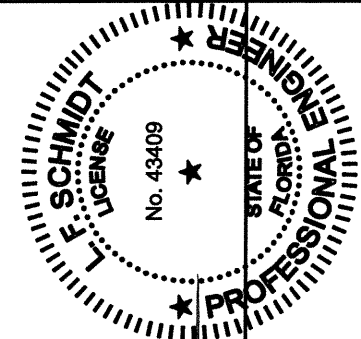
4 VERTICAL CROSS SECTION
7 Outswing sill



3 VERTICAL CROSS SECTION
7 Outswing sill - high dam



5 VERTICAL CROSS SECTION
7 Inswing sill

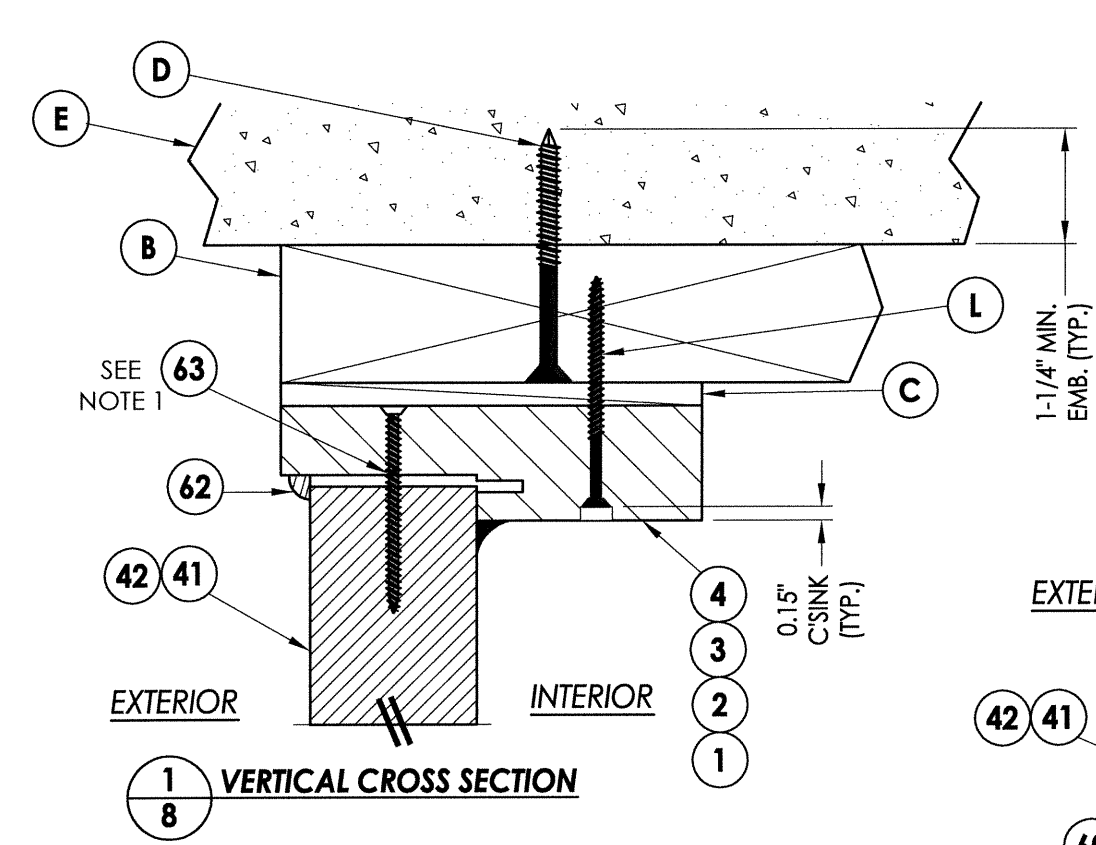


Documents Prepared By:
 Lyndon F. Schmidt
 P.E. No. 43409
 R.W. BUILDING CONSULTANTS, INC.
 P.O. Box 230, Valrico, FL 33595
 Phone No.: 813.659.9197
 FBPE C.A. No. 9813

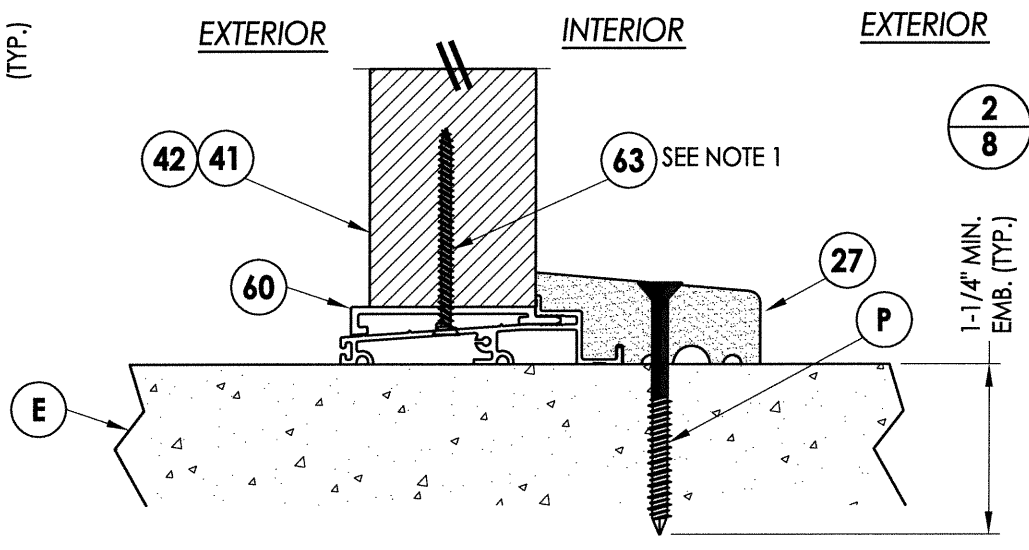
PRODUCT: TRINITY GLASS INT'L
 PART OR ASSEMBLY: VERTICAL CROSS SECTIONS

NO.	DATE	REVISIONS
2	03/02/15	UPDATE TO 5TH ED. (2014) FBC
1	12/16/14	REVISED LOCK HARDWARE
		BY

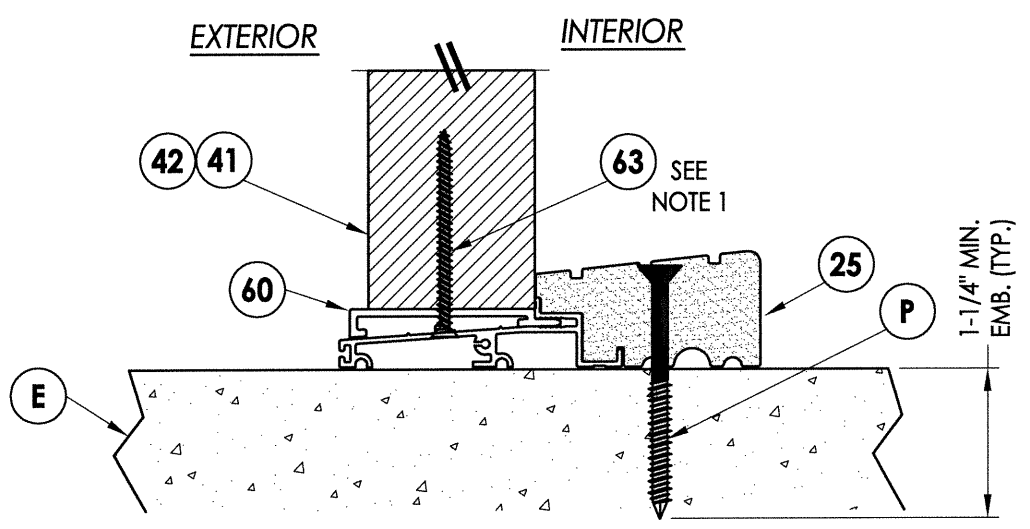
DATE: 1/18/12
 SCALE: N.T.S.
 DWG. BY: JK
 CHK. BY: LFS
 DRAWING NO.: FL-15129.2
 SHEET 7 OF 12



1
8 VERTICAL CROSS SECTION

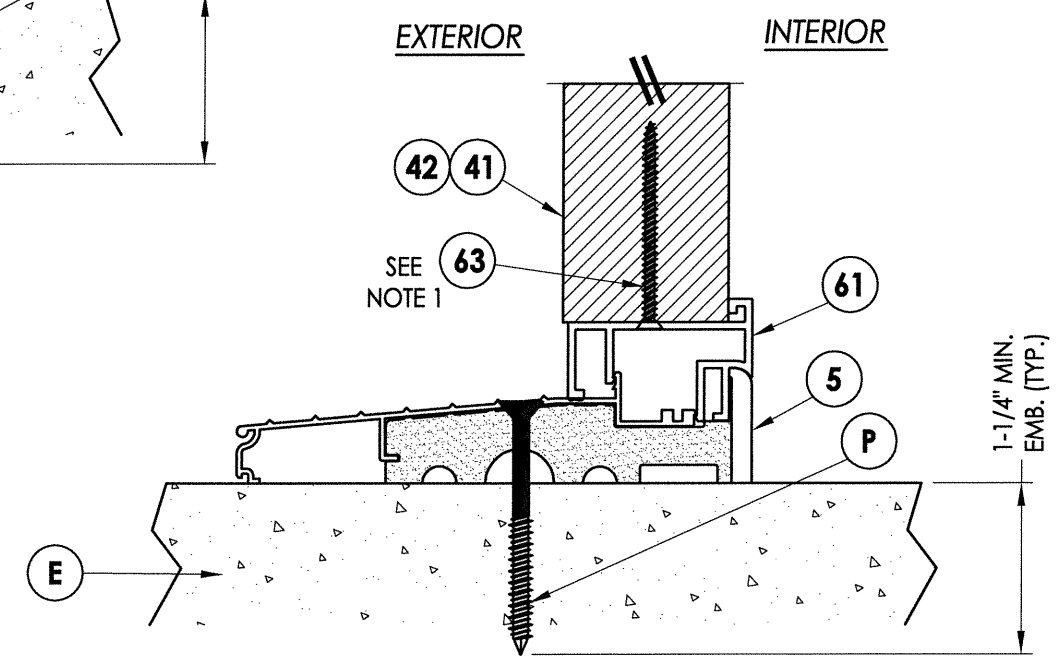


2
8 VERTICAL CROSS SECTION
Shown w/1X sub-buck



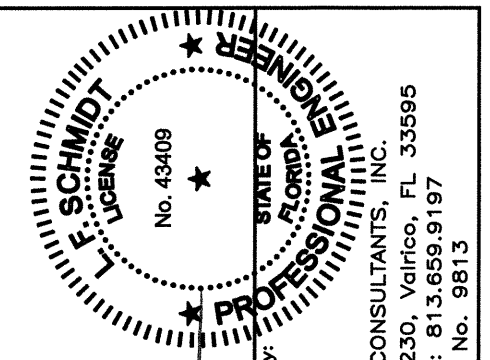
3
8 VERTICAL CROSS SECTION
Outswing sill - high dam

4
8 VERTICAL CROSS SECTION
Outswing sill



5
8 VERTICAL CROSS SECTION
Inswing sill

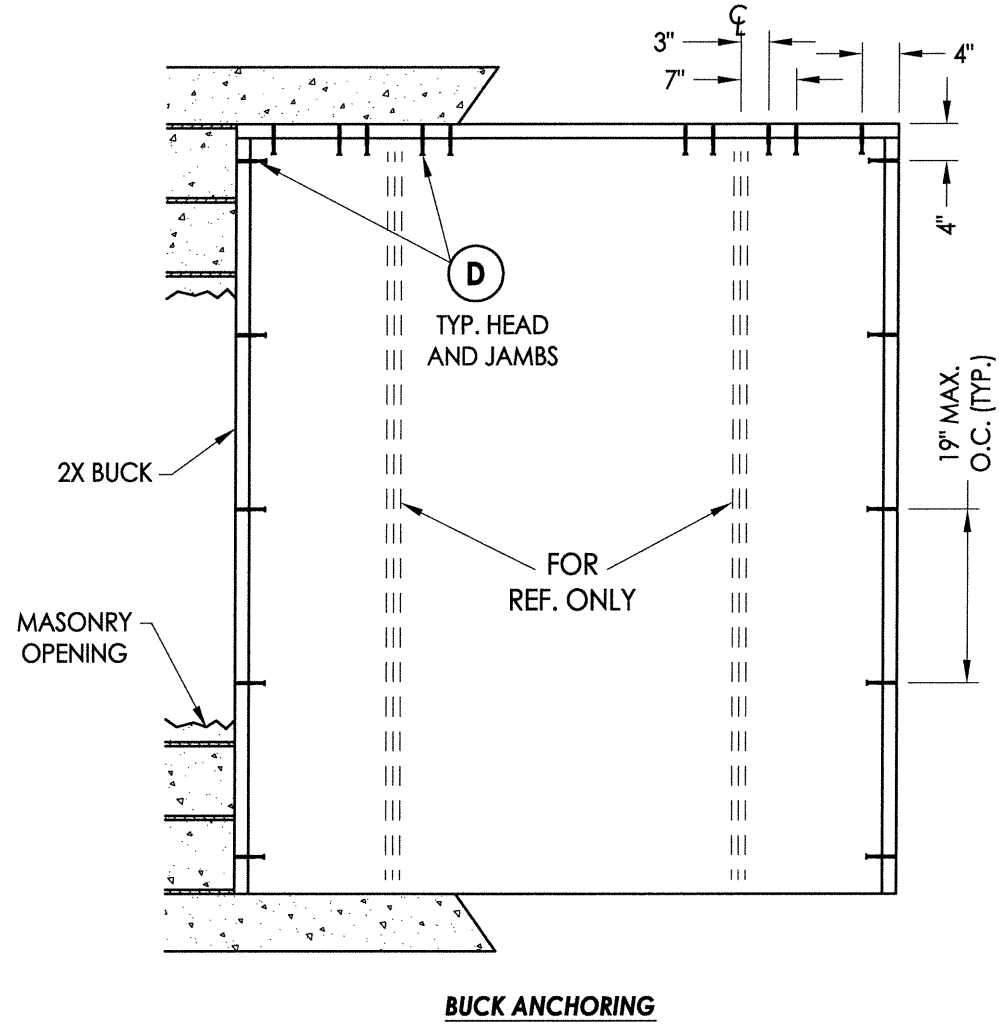
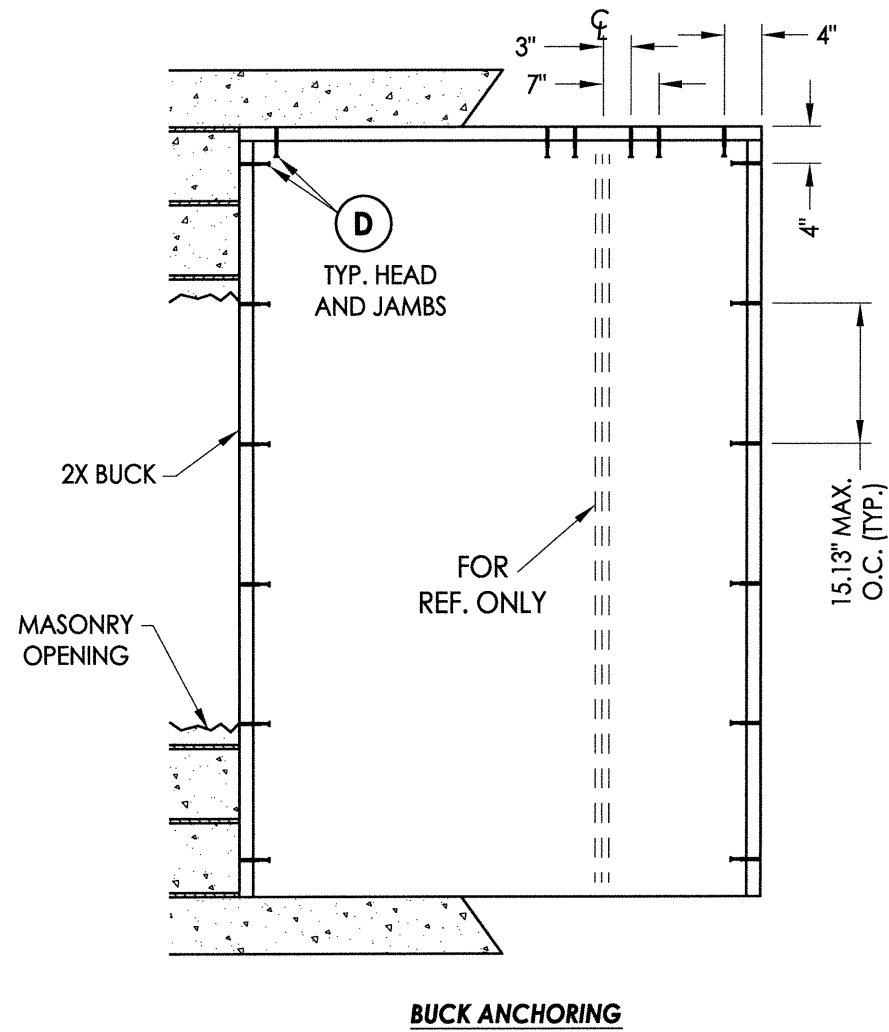
NOTE:
1. Screws thru head and sill jamb located 3" from each end and on center line.



Documents Prepared By:
Lyndon F. Schmidt
P.E. No. 43409
LFS
5.1.15

RW BUILDING CONSULTANTS, INC.
P.O. Box 230, Vairico, FL 33595
Phone No.: 813.659.9197
FBPE C.A. No. 9813

PRODUCT:	TRINITY GLASS INT'L								
PART OR ASSEMBLY:	VERTICAL CROSS SECTIONS								
DATE:	1/18/12								
SCALE:	N.T.S.								
DWG. BY:	JK								
CHK. BY:	LFS								
DRAWING NO.:	FL-15129.2								
SHEET	8 OF 12								
<table border="1"> <thead> <tr> <th colspan="2">REVISIONS</th> </tr> <tr> <th>NO.</th> <th>DATE</th> </tr> </thead> <tbody> <tr> <td>2</td> <td>03/02/15</td> </tr> <tr> <td>1</td> <td>12/16/14</td> </tr> </tbody> </table>		REVISIONS		NO.	DATE	2	03/02/15	1	12/16/14
REVISIONS									
NO.	DATE								
2	03/02/15								
1	12/16/14								



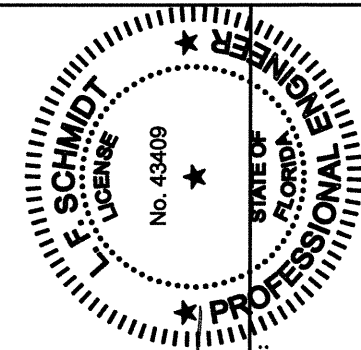
CONCRETE ANCHOR NOTES:

1. Concrete anchor locations at the corners may be adjusted to maintain the min. edge distance to mortar joints.
2. Concrete anchor locations noted as "MAX. ON CENTER" must be adjusted to maintain the min. edge distance to mortar joints, additional concrete anchors may be required to ensure the "MAX. ON CENTER" dimension are not exceeded.
3. Concrete anchor table:

ANCHOR TYPE	ANCHOR SIZE	MIN. EMBEDMENT	MIN. CLEARANCE TO MASONRY EDGE	MIN. CLEARANCE TO ADJACENT ANCHOR
ITW BUILDEX TAPCON®	1/4"	1-1/4"	2"	4"
ELCO ULTRACON®	1/4"	1-1/4"	1"	4"

WOOD SCREW INSTALLATION NOTES:

1. Maintain a minimum 5/8" edge distance, 1" end distance, & 1" o.c. spacing of wood screws to prevent the splitting of wood.

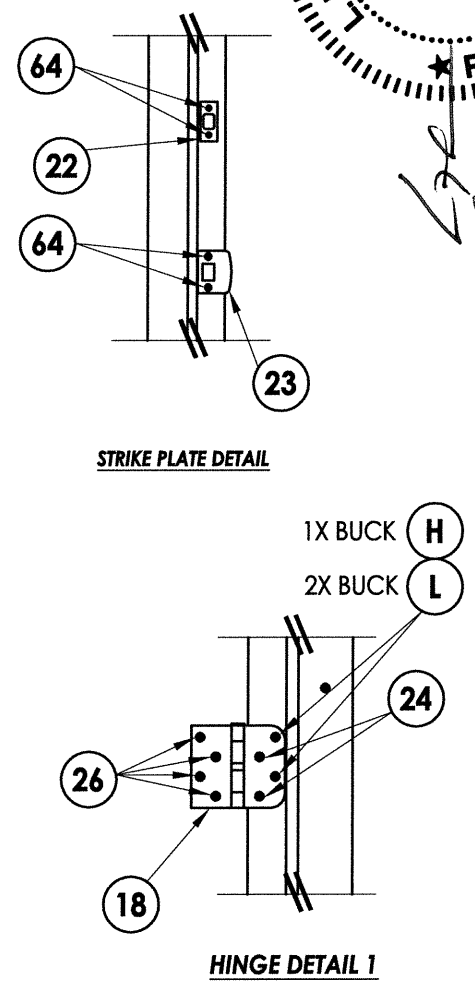
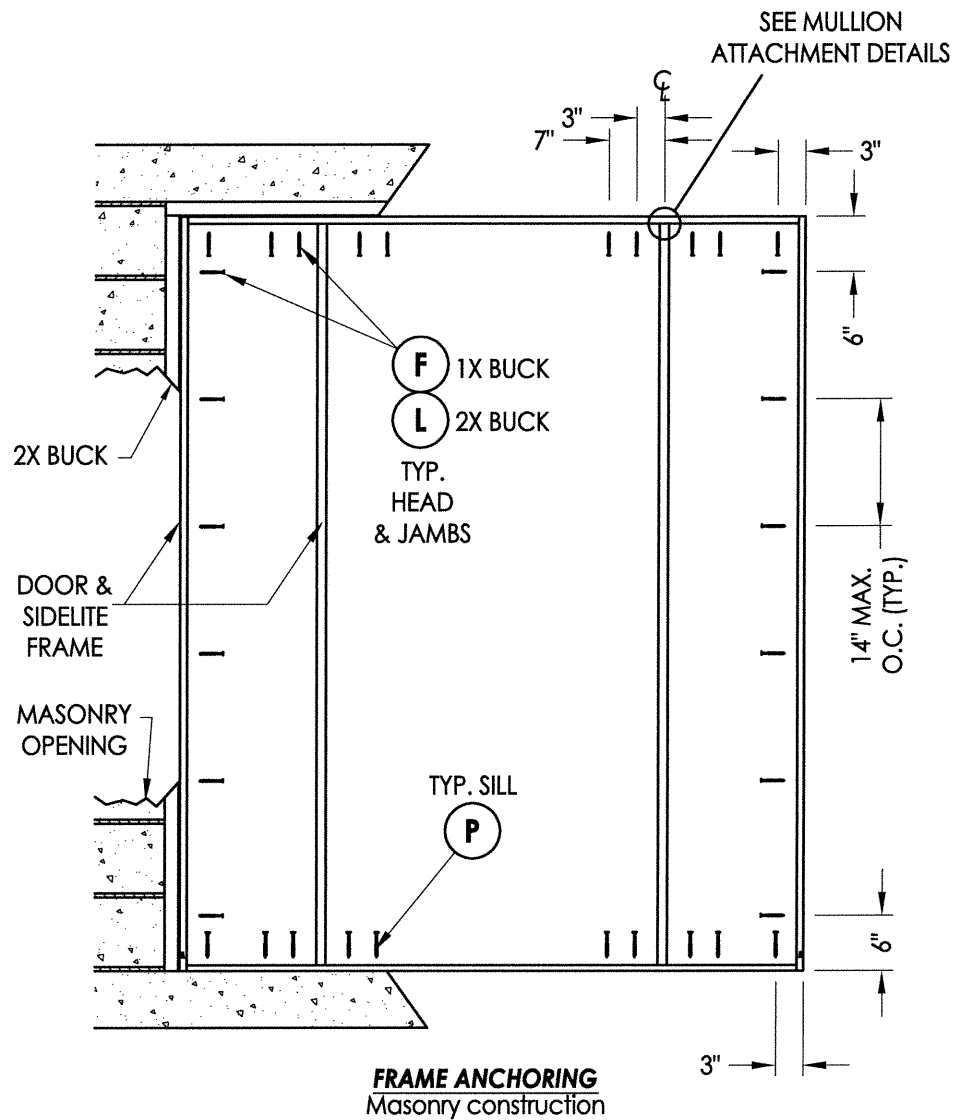
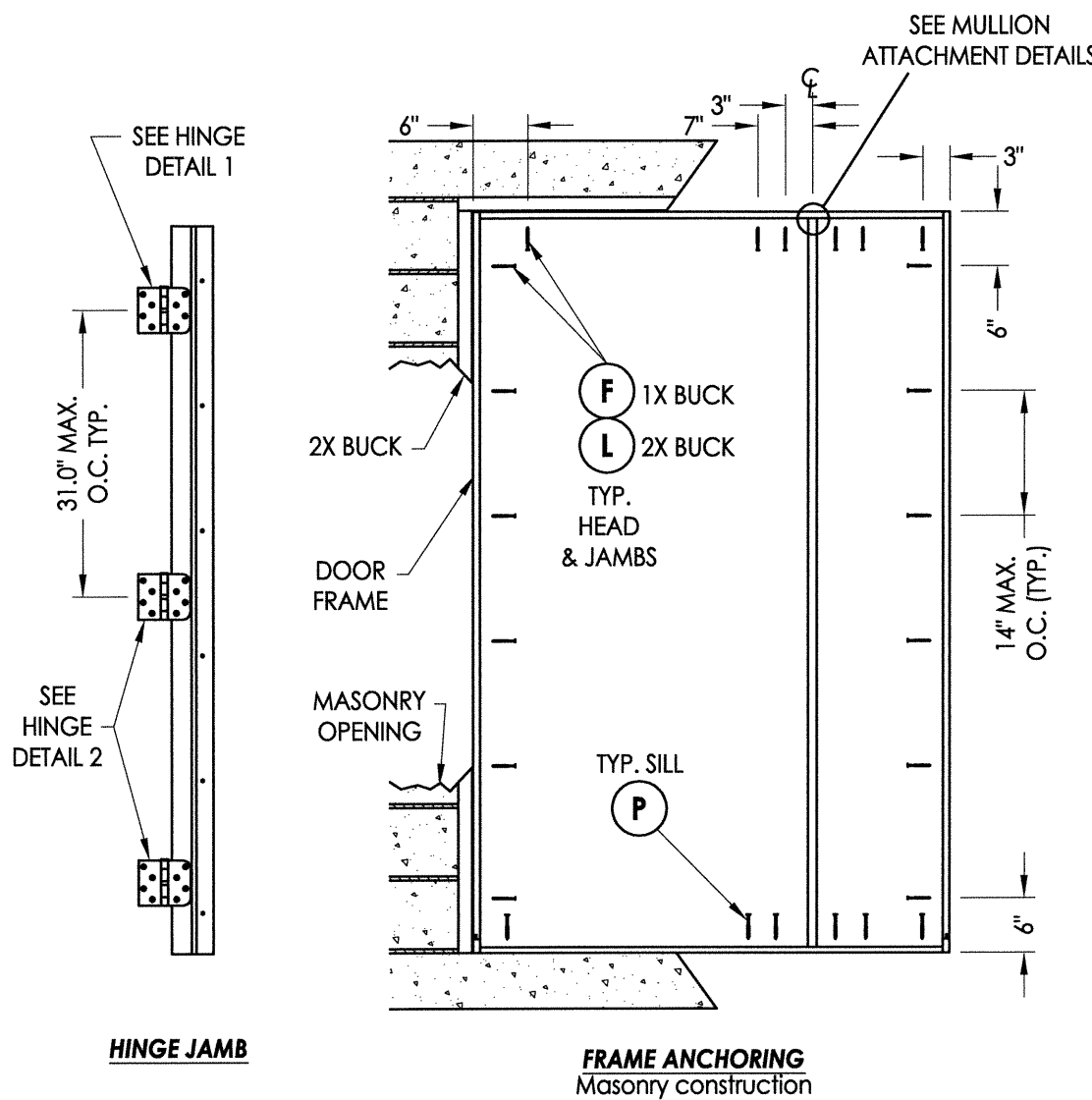


Documents Prepared By:
Lyndon F. Schmidt
P.E. No. 43409

R.W. BUILDING CONSULTANTS, INC.
P.O. Box 230, Valrico, FL 33595
Phone No.: 813.659.9197
FBPE C.A. No. 9813

PRODUCT:	TRINITY GLASS INT'L
PART OR ASSEMBLY:	BUCK ANCHORING
DATE:	1/18/12
SCALE:	N.T.S.
DWG. BY:	JK
CHK. BY:	LFS
DRAWING NO.:	FL-15129.2
SHEET	9 OF 12

R:\Clients\Trinity PERMANENT\Florida Product Approvals\FL-15129\Drawings\Current\FL-15129.1-4.dwg, 10.2



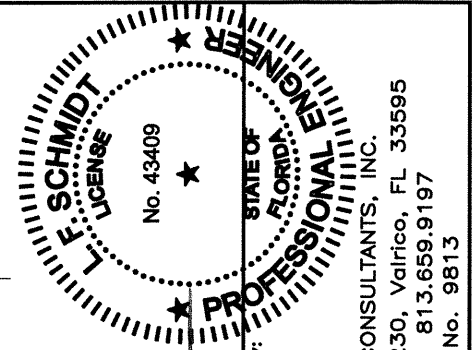
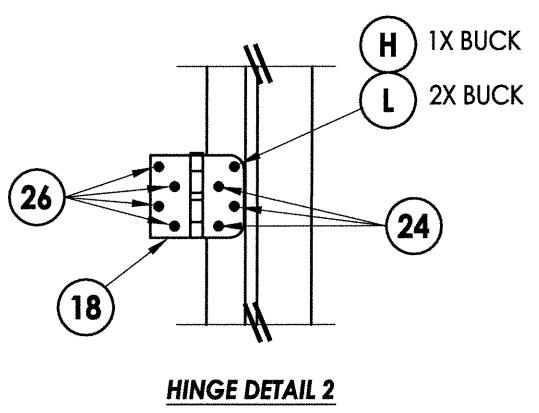
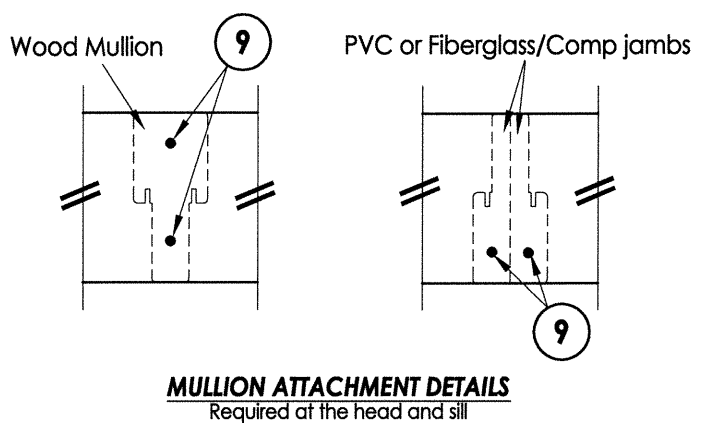
CONCRETE ANCHOR NOTES:

- Concrete anchor locations at the corners may be adjusted to maintain the min. edge distance to mortar joints.
- Concrete anchor locations noted as "MAX. ON CENTER" must be adjusted to maintain the min. edge distance to mortar joints, additional concrete anchors may be required to ensure the "MAX. ON CENTER" dimension are not exceeded.
- Concrete anchor table:

ANCHOR TYPE	ANCHOR SIZE	MIN. EMBEDMENT	MIN. CLEARANCE TO MASONRY EDGE	MIN. CLEARANCE TO ADJACENT ANCHOR
ITW BUILDDEX TAPCON®	3/16"	1-1/4"	3"	1-1/2"
	1/4"	1-1/4"	2"	4"
ELCO ULTRACON®	1/4"	1-1/4"	1"	4"

WOOD SCREW INSTALLATION NOTES:

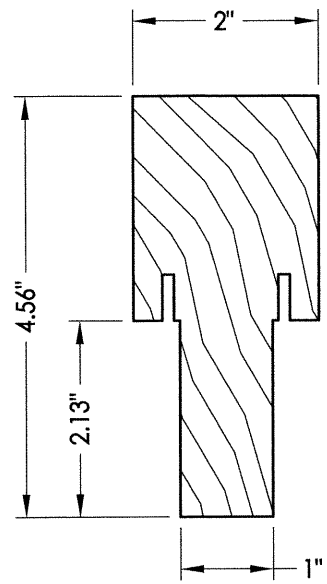
- Maintain a minimum 5/8" edge distance, 1" end distance, & 1" o.c. spacing of wood screws to prevent the splitting of wood.



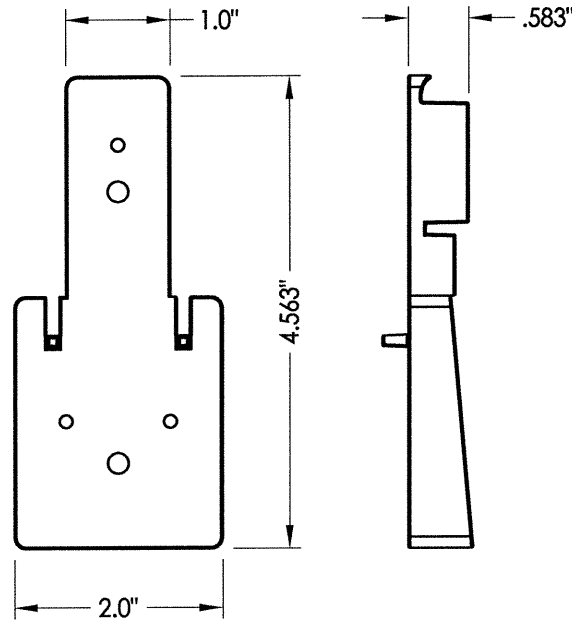
Documents Prepared By:
Lyndon F. Schmidt
P.E. No. 43409

RW BUILDING CONSULTANTS, INC.
P.O. Box 230, Valrico, FL 33595
Phone No.: 813.659.9197
FBPE C.A. No. 9813

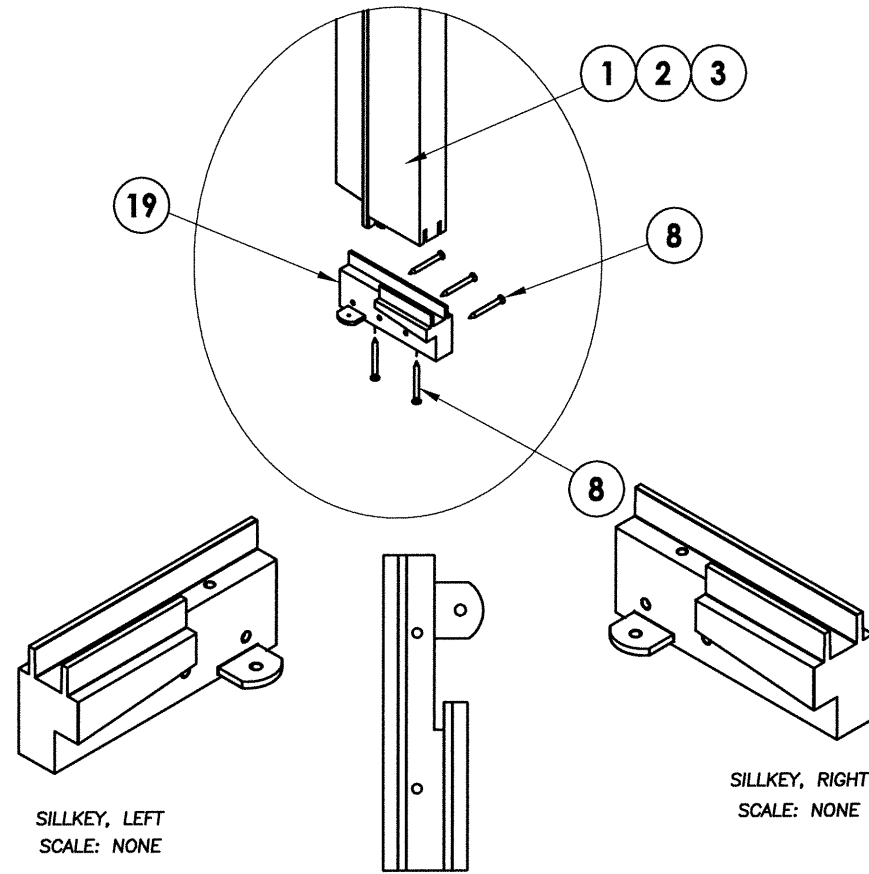
PRODUCT:	TRINITY GLASS INT'L
PART OR ASSEMBLY:	FRAME ANCHORING
DATE:	1/18/12
SCALE:	N.T.S.
DWG. BY:	JK
CHK. BY:	LFS
DRAWING NO.:	FL-15129.2
SHEET	10 OF 12



67 INTEGRAL MULLION

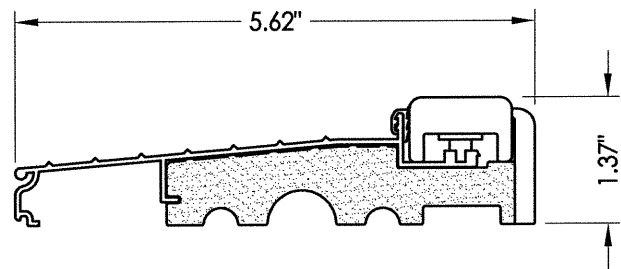


69 MULLION BASE KIT
Optional

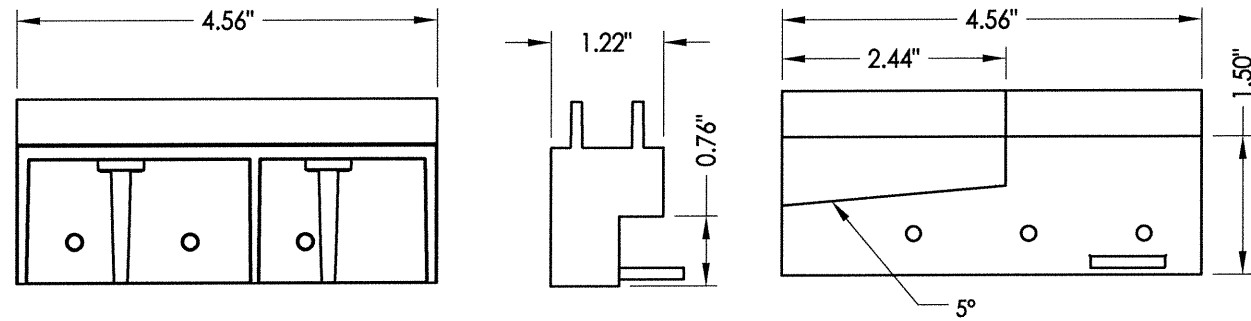


SILLKEY, LEFT
SCALE: NONE

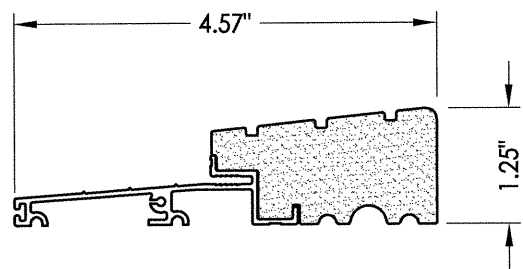
SILLKEY, RIGHT
SCALE: NONE



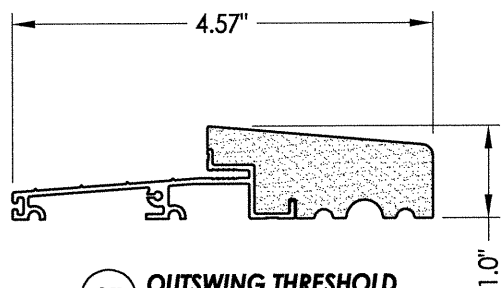
5 INSWING THRESHOLD



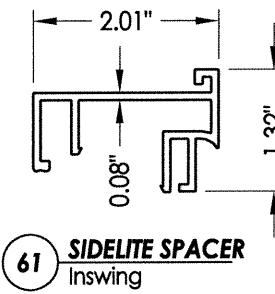
19 SILLKEY DETAILS
Optional



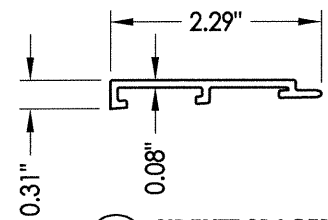
25 OUTSWING THRESHOLD
High-dam



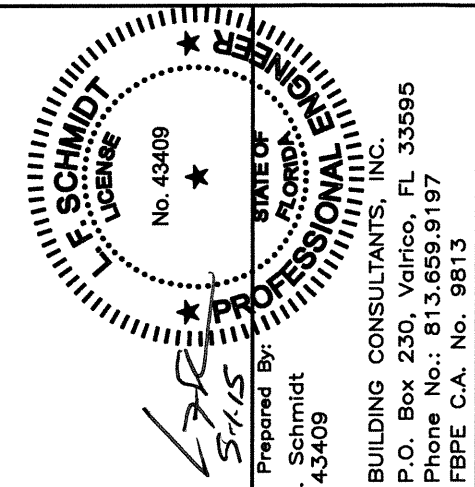
27 OUTSWING THRESHOLD



61 SIDELITE SPACER
Inswing



60 SIDELITE SPACER
Outswing

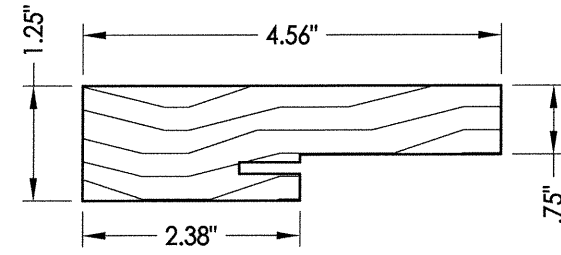


Documents Prepared By:
Lyndon F. Schmidt
P.E. No. 43409

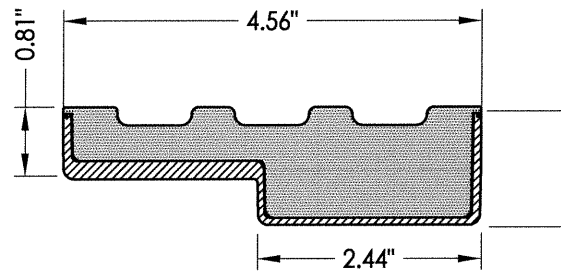
R.W. BUILDING CONSULTANTS, INC.
P.O. Box 230, Valrico, FL 33595
Phone No.: 813.659.9197
FBPE C.A. No. 9813

PRODUCT: TRINITY GLASS INT'L		PART OR ASSEMBLY: COMPONENTS	
DATE: 1/18/12	SCALE: N.T.S.	NO. DATE	REVISIONS
DWG. BY: JK	CHK. BY: LFS	2 03/02/15 UPDATE TO 5TH ED. (2014) FBC	JK
DRAWING NO.: FL-15129.2		1 12/16/14 REVISED LOCK HARDWARE	LFS
SHEET 11 OF 12			BY

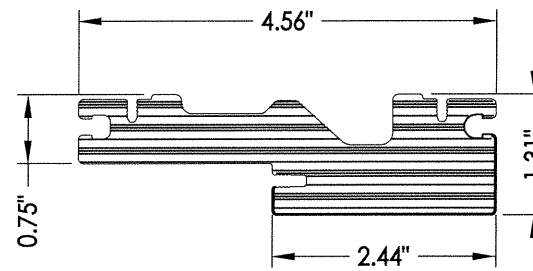
BILL OF MATERIALS		
ITEM #	DESCRIPTION	MATERIAL
A	1X BUCK SG >= 0.55	WOOD
B	2X BUCK SG >= 0.55	WOOD
C	1/4" MAX. SHIM SPACE	-
D	1/4" X 2-3/4" PFH ELCO OR ITW CONCRETE SCREW	STEEL
E	MASONRY - 3,000 PSI MIN. CONCRETE CONFORMING TO ACI 301 OR HOLLOW BLOCK CONFORMING TO ASTM C90	CONCRETE
F	1/4" X 3-3/4" PFH ITW CONCRETE SCREW	STEEL
H	3/16" X 3-1/4" PFH ITW CONCRETE SCREW	STEEL
J	#9 X 2-1/4" PFH WS	STEEL
L	#8 X 2-1/2" PFH WS	STEEL
P	1/4" X 2-3/4" PFH ELCO OR ITW CONCRETE SCREW	STEEL
1	JAMB (FINGER-JOINT PINE - SG >= 0.42)	WOOD
2	JAMB	FIBERGLASS/COMP
3	JAMB	PVC
4	JAMB	PVC
5	INSWING THRESHOLD ALUMINUM W/ COMPOSITE SUBSTRATE	ALUMINUM
6	DOOR BOTTOM SWEEP	PVC
8	#6 X 1-1/4 PFH DRYWALL SCREW	STEEL
9	#9 X 2-1/4" PFH SMS	STEEL
12	WEATHER STRIP QEBD650 Q-LON	-
18	3.983" X 4.0" HINGE MIN 0.098" THICK	STEEL
19	SILLKEY	PC/ASA
22	DEADBOLT STRIKE PLATE	STEEL
23	STRIKE PLATE	STEEL
24	#9 X 5/8" PFH WS	STEEL
25	OUTSWING HIGH-DAM THRESHOLD ALUMINUM W/ COMPOSITE SUBSTRATE	ALUM./ COMP.
26	#9 X 1.0" PFH WS	STEEL
27	OUTSWING THRESHOLD ALUMINUM W/ COMPOSITE SUBSTRATE	ALUM./ COMP.
40	DOOR PANEL - SEE DOOR PANEL DETAIL SHEET FOR CONSTRUCTION DETAILS	-
41	SIDELITE PANEL - SEE SIDELITE PANEL DETAIL SHEET FOR CONSTRUCTION DETAILS	-
42	SIDELITE PANEL - SEE SIDELITE PANEL DETAIL SHEET FOR CONSTRUCTION DETAILS	-
60	SIDELITE SPACER - OUTSWING	PVC
61	SIDELITE SPACER - INSWING	PVC
62	QUARTER ROUND	WOOD
63	#8 X 2-1/4" PFH WOOD SCREW	STEEL
64	#8 X 2" PFH WOOD SCREW	STEEL
67	INTEGRAL MULLION - FINGER JOINT PINE (SG >= 0.42)	WOOD
69	MULLION BASE KIT	PC/ASA



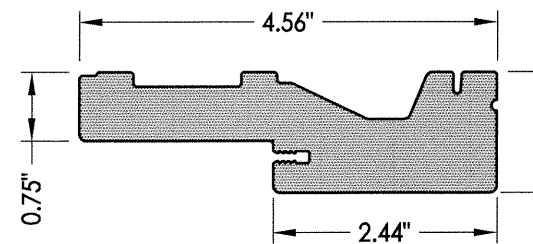
1 HEAD AND JAMBS
Wood



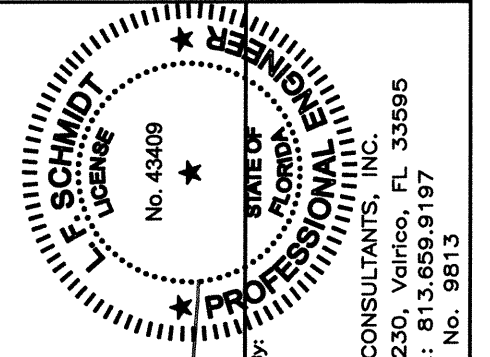
2 HEAD AND JAMBS
Composite PVC Base
w/ Fiberglass Wrap



3 HEAD AND JAMBS
PVC



4 HEAD AND JAMBS
PVC



Documents Prepared By:
Lyndon F. Schmidt
P.E. No. 43409

R.W. BUILDING CONSULTANTS, INC.
P.O. Box 230, Valrico, FL 33595
Phone No.: 813.659.9197
FBPE C.A. No. 9813

PRODUCT:	TRINITY GLASS INT'L	
PART OR ASSEMBLY:	BILL OF MATERIALS & COMPONENTS	
NO.	DATE	BY
2	03/02/15	JK
1	12/16/14	LFS
REVISIONS		
DATE: 1/18/12		
SCALE: N.T.S.		
DWG. BY: JK		
CHK. BY: LFS		
DRAWING NO.: FL-15129.2		
SHEET 12 OF 12		